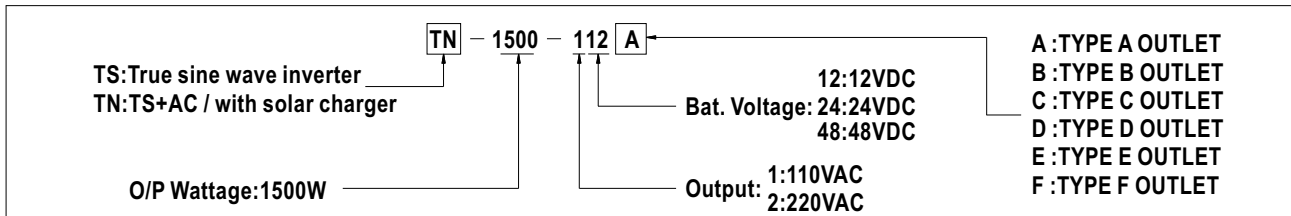




■ Features :

- True sine wave output (THD<3%)
- Power ON-OFF switch
- Saving mode setted by controller
- LED panel indication power status
- Thermostatically Controlled Cooling Fan
- Protections: Bat. Low alarm / Bat. Low shutdown / Over temp. / Output short / Input polarity reverse / Over load.
- Home appliance, Power tools, Office and Portable equipment, Vehicle and Yacht ...etc.
- Approvals: UL458 / FCC / E13 / CE
- 2 years warranty



**SPECIFICATION**

MODEL	TN/TS-1500-112	TN/TS-1500-124	TN/TS-1500-148	TN/TS-1500-212	TN/TS-1500-224	TN/TS-1500-248		
OUTPUT	RATED POWER (Typ.)		1500W					
	AC RATED VOLTAGE		110V		220V			
	AC VOLTAGE		100 / 110 / 115 / 120 selectable by control switch		200 / 220 / 230 / 240 selectable by controller			
	SURGE CURRENT		40A (500ms typ.)		30A (500ms typ.)			
	MAXIMUM OUTPUT POWER		1725W(3min.) / 2250W(10sec.)					
	WAVEFORM		True sine wave (THD<3%) at rated input voltage					
	FREQUENCY		50/60±1Hz					
	AC REGULATION (Typ.)		±3.0% at rated input voltage					
	TRANSFER TIME		t<10ms inverter ↔ by pass					
	SAVING MODE TO NORMAL		≤3s (5 ~ 25W)					
LED INDICATOR		O.T.P, O.L.P and Saving mode status						
INPUT	DC CURRENT (Typ.)		150A	75A	37.5A	150A	75A	37.5A
	NO LOAD DISSIPATION		≤18W @ saving mode					
	OFF MODE DRAW CURRENT		≤1mA					
	BAT. VOLTAGE		12V	24V	48V	12V	24V	48V
	VOLTAGE RANGE (Typ.) <sup>Note.1</sup>		10.5 ~ 15VDC	21 ~ 30VDC	42 ~ 60VDC	10.5 ~ 15VDC	21 ~ 30VDC	42 ~ 60VDC
	EFFICIENCY (Typ.) <sup>Note.2</sup>		87%	89%	90%	89%	90%	91%
BATTERY INPUT PROTECTION	FUSE		40A*5	30A*3	30A*2	40A*5	30A*3	30A*2
	BAT. LOW ALARM		10.5±2%	21±2%	42±2%	10.5±2%	21±2%	42±2%
	BAT. LOW SHUTDOWN		10±2%	20±2%	40±2%	10±2%	20±2%	40±2%
	BAT. POLARITY		By internal fuse open					
OUTPUT PROTECTION	OVER TEMPERATURE		40 ~ 45°C at full load, Reset: re-power on					
	OUTPUT SHORT		Shut-off, Reset: re-power on					
	OVER LOAD (INVERTER)		105 ~ 117%±5% load 180sec, 117% ~ 150%±5% load 10sec, Shut down re-power on					
	OVER LOAD (AC LINE)		Circuit breaker protection					
	GFCI PROTECTION		Optional (Only type F)			None		
ENVIRONMENT	WORKING TEMP. <sup>Note.3</sup>		-10 ~ +60°C					
	WORKING HUMIDITY		20% ~ 90% RH non-condensing					
	STORAGE TEMP., HUMIDITY		-30 ~ +70°C / -22 ~ +158°F, 10 ~ 95% RH					
	VIBRATION		10 ~ 500Hz, 2G 10min./1cycle, 60min. each along X, Y, Z axes					
SAFETY & EMC	SAFETY STANDARDS		UL458		EN60950			
	WITHSTAND VOLTAGE		Bat I/P-AC I/P:3.0KVAC		Bat I/P-AC O/P:3.0KVAC		AC I/P-FG:1.5KVAC	
	EMI CONDUCTION&RADIATION		Compliance to FCC class A		Compliance to EN55022 class B, 72/ 245/ CEE, 95/ 54/ CE, E-Mark			
	EMS IMMUNITY		-----		Compliance to EN61000-4-2,3,4,5,6,8,11 ENV50204			
OTHERS	DIMENSION		420*220*88mm (L*W*H)					
	PACKING		6.85Kg; 2pcs/14.7Kg/1.89CUFT					
NOTE	<p>1.Output Derating capacity referenced by curve 1.</p> <p>2.Efficiency is tested by 1000W linear load at 13V, 26V, 52V input voltage.</p> <p>3.Output Derating capacity referenced by curve 2.</p> <p>4.All parameters not specified above are measured at rated load, 25°C of ambient temperature.</p>							

■ AC Output Receptacles (optional)

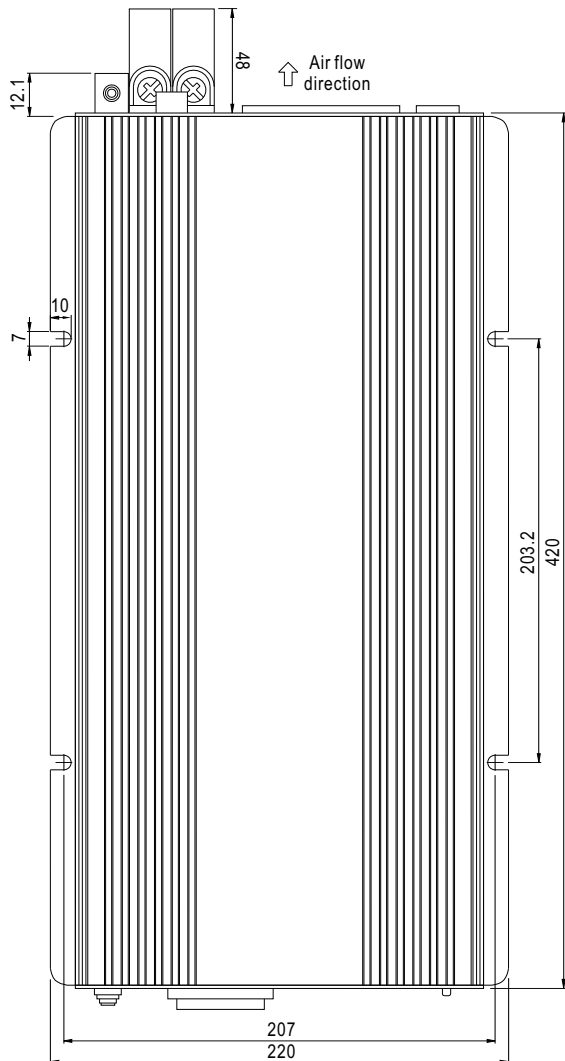
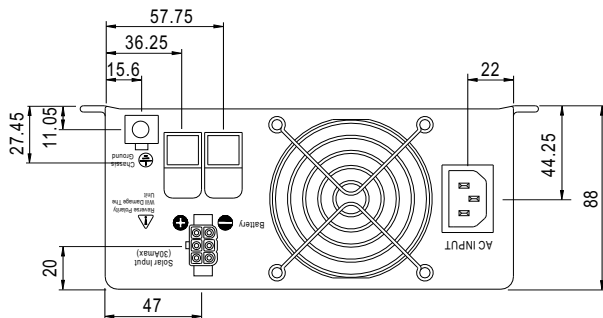
TYPE-A	TYPE-B	TYPE-C	TYPE-D	TYPE-E	TYPE-F
USA	EUROPE	AUSTRALIA	U.K	JAPAN	GFCI

## ELECTRICAL SPECIFICATIONS OF CHARGER

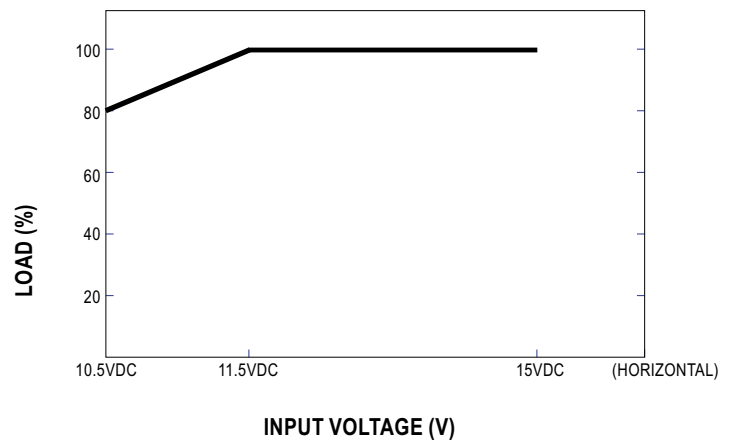
MODEL		TN-1500-112□	TN-1500-124□	TN-1500-148□	TN-1500-212□	TN-1500-224□	TN-1500-248□
AC CHARGER	CHARGE CURRENT	5.5A±0.5A	2.7A±0.4A	1.35A±0.2A	5.5A±0.5A	2.7A±0.4A	1.35A±0.2A
	BATTERY TYPES	Open & sealed Lead Acid					
	CHARGE VOLTAGE	14.5V±4%	29V±4%	58V±4%	14.5V±4%	29V±4%	58V±4%
	SHORT CIRCUIT PROTECTION	Constant current limiting					
SOLAR CHARGER	MAX OPEN CIRCUIT VOLTAGE	25V	45V	75V	25V	45V	75V
	CHARGE CURRENT (max.)	30A					
	Vmax CHARGE VOLTAGE	14.5±4%	29V±4%	58±4V	14.5±4%	29±4%	58±4%
BATTERY	BATTERY TYPES	Open & sealed Lead Acid					

### Mechanical Specification

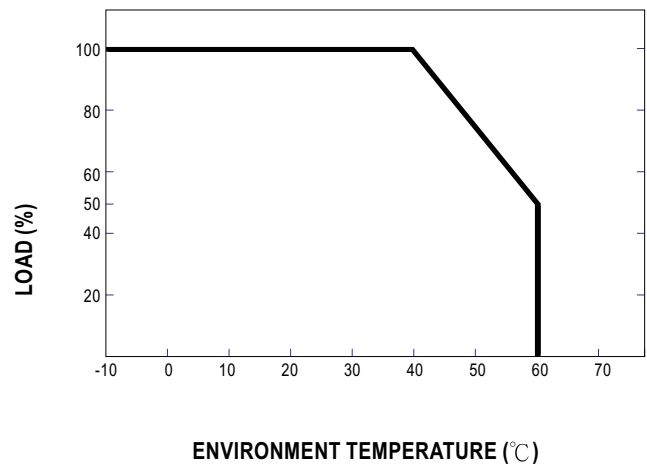
Unit:mm



### Output Derating and Curve



CURE 1



CURE 2