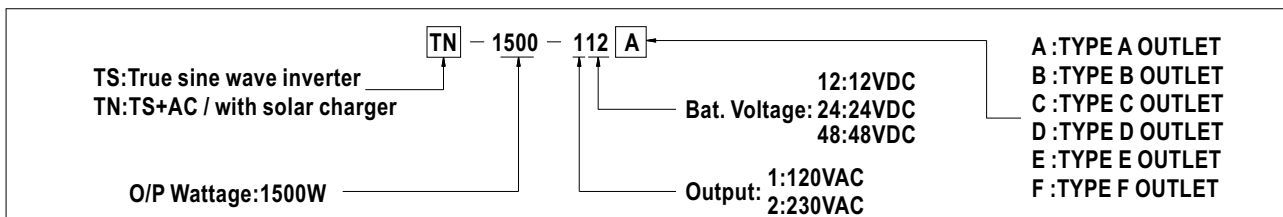




■ Features :

- True sine wave output (THD<3%)
- Power ON-OFF switch
- Saving mode setted by controller
- LED panel indication power status
- Thermostatically Controlled Cooling Fan
- Protections: Bat. Low alarm / Bat. Low shutdown / Over temp. / Output short / Input polarity reverse / Over load.
- Home appliance, Power tools, Office and Portable equipment, Vehicle and Yacht ...etc.
- Approvals: UL458 / FCC / E13 / CE
- 2 years warranty



SPECIFICATION

MODEL	TN/TS-1500-112	TN/TS-1500-124	TN/TS-1500-148	TN/TS-1500-212	TN/TS-1500-224	TN/TS-1500-248		
OUTPUT	RATED POWER (Typ.)		1500W					
	AC RATED VOLTAGE		120V		230V			
	AC VOLTAGE		100 / 110 / 115 / 120 selectable by controller		200 / 220 / 230 / 240 selectable by controller			
	SURGE CURRENT		30A (500ms typ.)		20A (500ms typ.)			
	MAXIMUM OUTPUT POWER		1725W(3min.) / 2250W(10sec.)					
	WAVEFORM		True sine wave (THD<3%) at rated input voltage					
	FREQUENCY		50/60±1Hz					
	AC REGULATION (Typ.)		±3.0% at rated input voltage					
	TRANSFER TIME		t<10ms inverter ↔ by pass					
	SAVING MODE TO NORMAL		≤3s (5 ~ 25W)					
LED INDICATOR		O.T.P, O.L.P and Saving mode status						
INPUT	DC CURRENT (Typ.)		150A	75A	37.5A	150A	75A	37.5A
	NO LOAD DISSIPATION		≤18W @ saving mode					
	OFF MODE DRAW CURRENT		≤1mA					
	BAT. VOLTAGE		12V	24V	48V	12V	24V	48V
	VOLTAGE RANGE (Typ.) ^{Note.1}		10.5 ~ 15VDC	21 ~ 30VDC	42 ~ 60VDC	10.5 ~ 15VDC	21 ~ 30VDC	42 ~ 60VDC
	EFFICIENCY (Typ.) ^{Note.2}		87%	89%	90%	88%	90%	91%
BATTERY INPUT PROTECTION	FUSE		40A*5	30A*3	30A*2	40A*5	30A*3	30A*2
	BAT. LOW ALARM		10.7±2%	21.4±2%	42.8±2%	10.7±2%	21.4±2%	42.8±2%
	BAT. LOW SHUTDOWN		10.3±2%	20.6±2%	41.2±2%	10.3±2%	20.6±2%	41.2±2%
	BAT. POLARITY		By internal fuse open					
OUTPUT PROTECTION	OVER TEMPERATURE		40 ~ 45°C at full load, Reset: re-power on					
	OUTPUT SHORT		Shut-off, Reset: re-power on					
	OVER LOAD (INVERTER)		105 ~ 117%±5% load 180sec, 117% ~ 150%±5% load 10sec, Shut down re-power on					
	OVER LOAD (AC LINE)		Circuit breaker protection					
	GFCI PROTECTION		Optional (Only type F)		None			
ENVIRONMENT	WORKING TEMP. ^{Note.3}		0 ~ +60°C					
	WORKING HUMIDITY		20% ~ 90% RH non-condensing					
	STORAGE TEMP., HUMIDITY		-30 ~ +70°C / -22 ~ +158°F, 10 ~ 95% RH					
	VIBRATION		10 ~ 500Hz, 2G 10min./1cycle, 60min. each along X, Y, Z axes					
SAFETY & EMC	SAFETY STANDARDS		UL458		EN60950			
	WITHSTAND VOLTAGE		Bat I/P-AC I/P:3.0KVAC Bat I/P-AC O/P:3.0KVAC AC I/P-FG:1.5KVAC					
	EMI CONDUCTION&RADIATION		Compliance to FCC class A		Compliance to EN55022 class B, 72/ 245/ CEE, 95/ 54/ CE, E-Mark			
	EMS IMMUNITY		-----		Compliance to EN61000-4-2,3,4,5,6,8,11 ENV50204			
OTHERS	DIMENSION		420*220*88mm (L*W*H)					
	PACKING		6.85Kg; 2pcs/14.7Kg/1.89CUFT					
NOTE	<p>1.Output Derating capacity referenced by curve 1. 2.Efficiency is tested by 1000W linear load at 13V, 26V, 52V input voltage. 3.Output Derating capacity referenced by curve 2. 4.All parameters not specified above are measured at rated load, 25°C of ambient temperature.</p>							

■ AC Output Receptacles (optional)

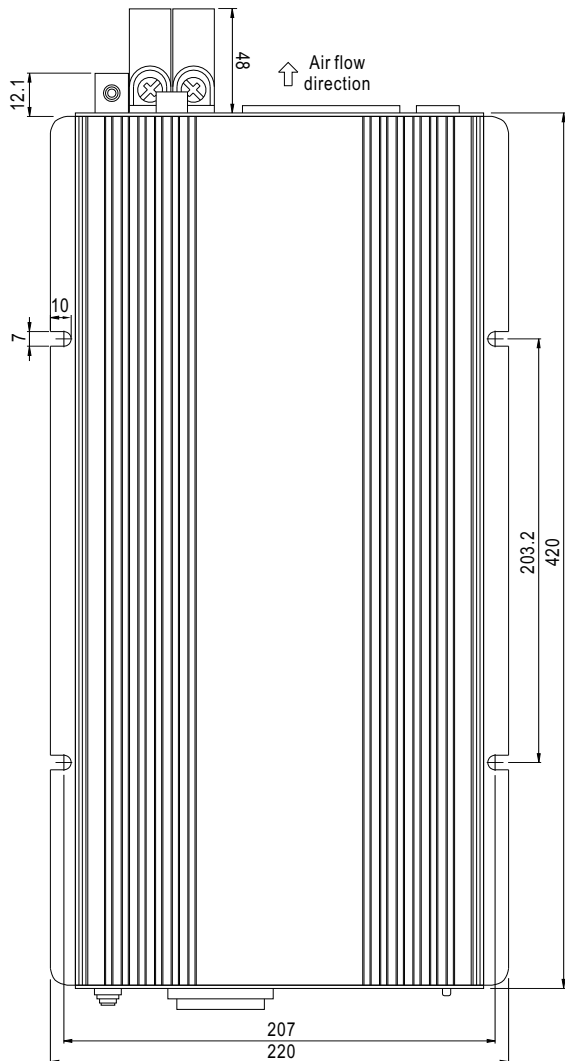
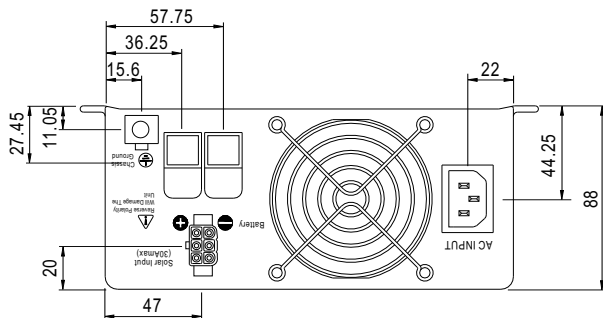
TYPE-A	TYPE-B	TYPE-C	TYPE-D	TYPE-E	TYPE-F
USA	EUROPE	AUSTRALIA	U.K	JAPAN	GFCI

ELECTRICAL SPECIFICATIONS OF CHARGER

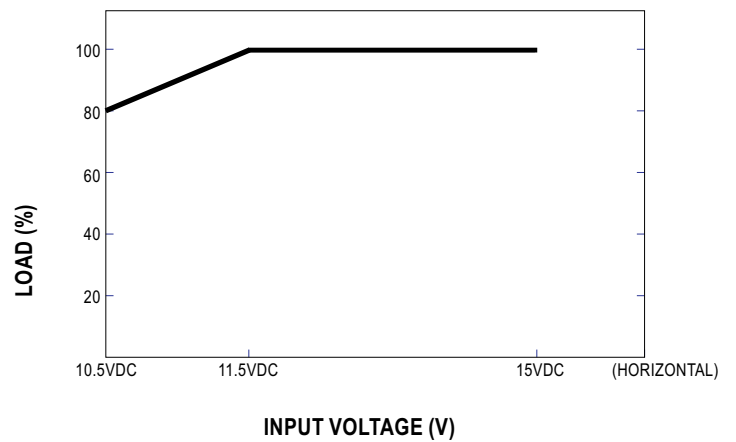
MODEL		TN-1500-112□	TN-1500-124□	TN-1500-148□	TN-1500-212□	TN-1500-224□	TN-1500-248□
AC CHARGER	CHARGE CURRENT	5.5A±0.5A	2.7A±0.4A	1.35A±0.2A	5.5A±0.5A	2.7A±0.4A	1.35A±0.2A
	BATTERY TYPES	Open & sealed Lead Acid					
	CHARGE VOLTAGE	14.5V±4%	29V±4%	58V±4%	14.5V±4%	29V±4%	58V±4%
	SHORT CIRCUIT PROTECTION	Constant current limiting					
SOLAR CHARGER	MAX OPEN CIRCUIT VOLTAGE	25V	45V	75V	25V	45V	75V
	CHARGE CURRENT (max.)	30A					
	Vmax CHARGE VOLTAGE	14.5±4%	29V±4%	58±4%	14.5±4%	29±4%	58±4%
BATTERY	BATTERY TYPES	Open & sealed Lead Acid					

Mechanical Specification

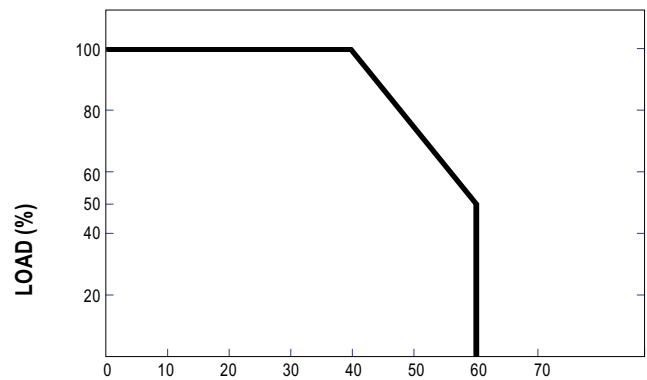
Unit:mm



Output Derating and Curve



CURVE 1



CURVE 2