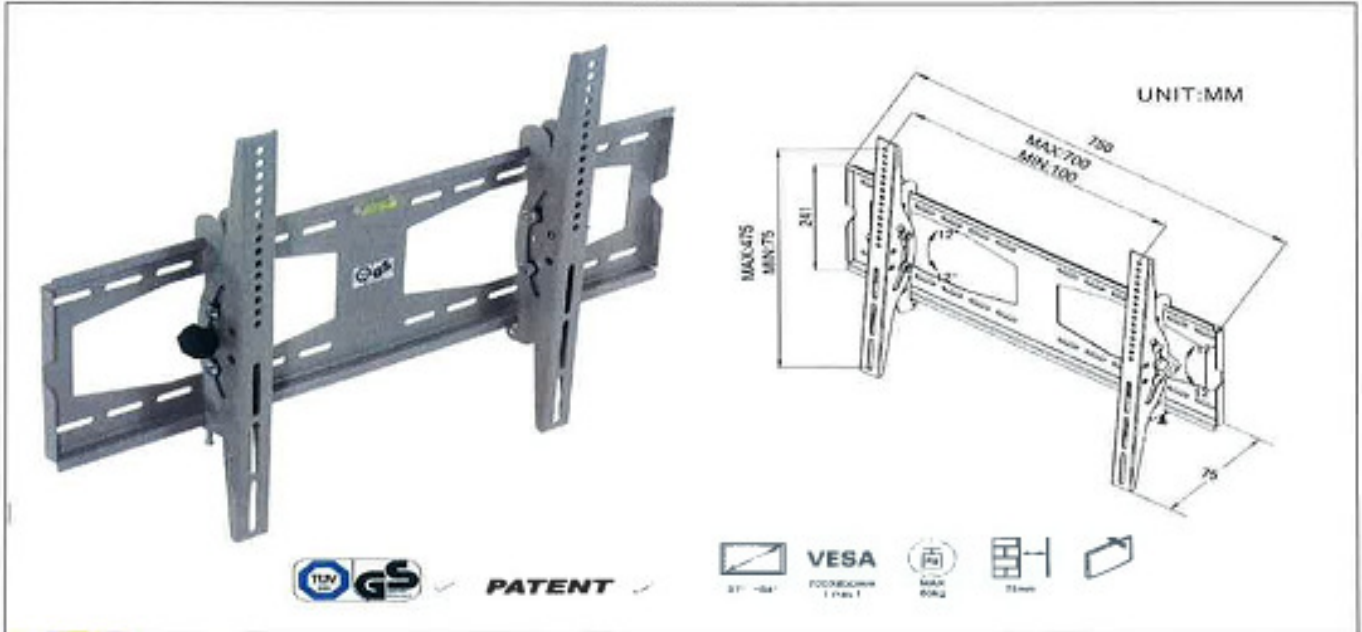
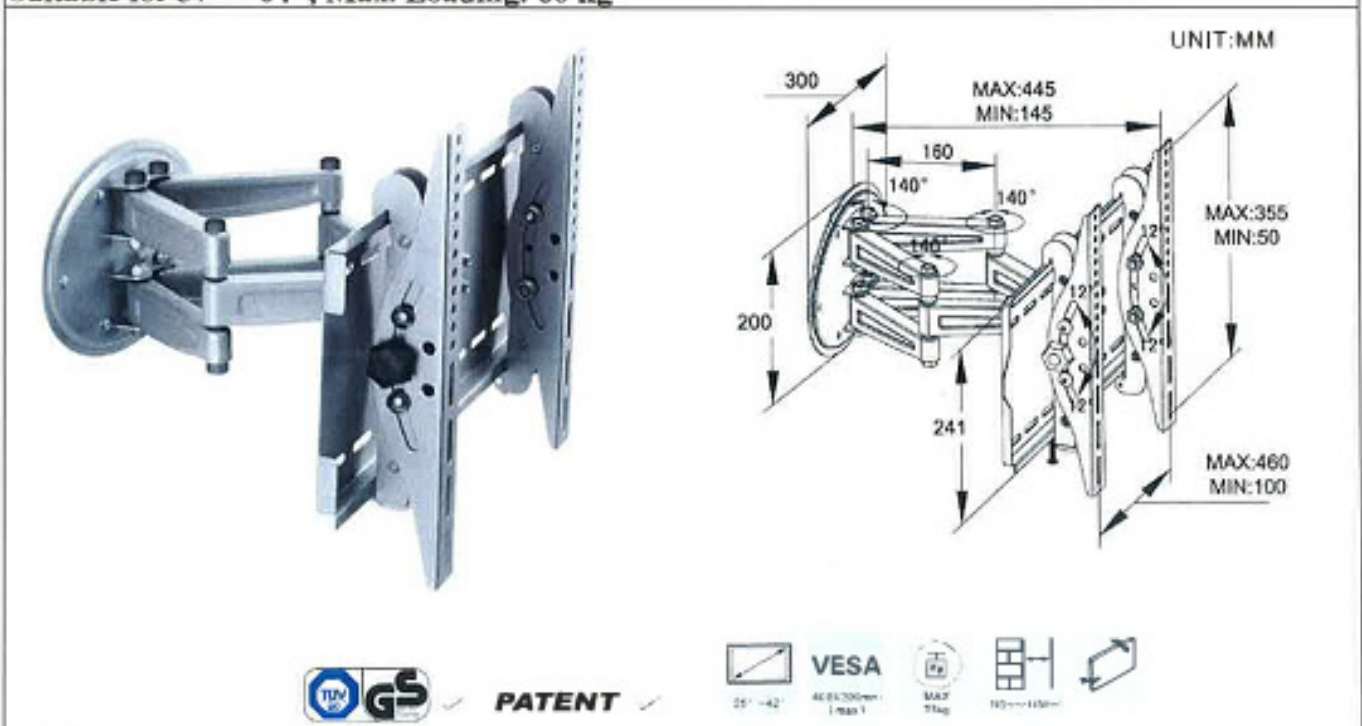


## GS 系列



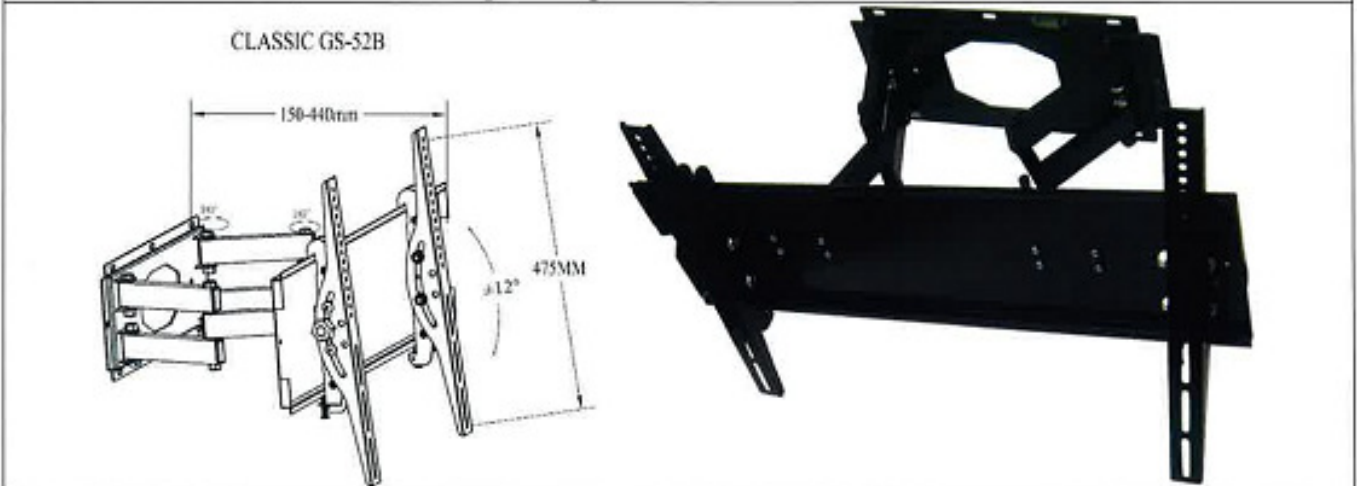
**GS-62/B:-** 71-05-0062  
Suitable for 37" ~ 64"; Max. Loading: 60 kg



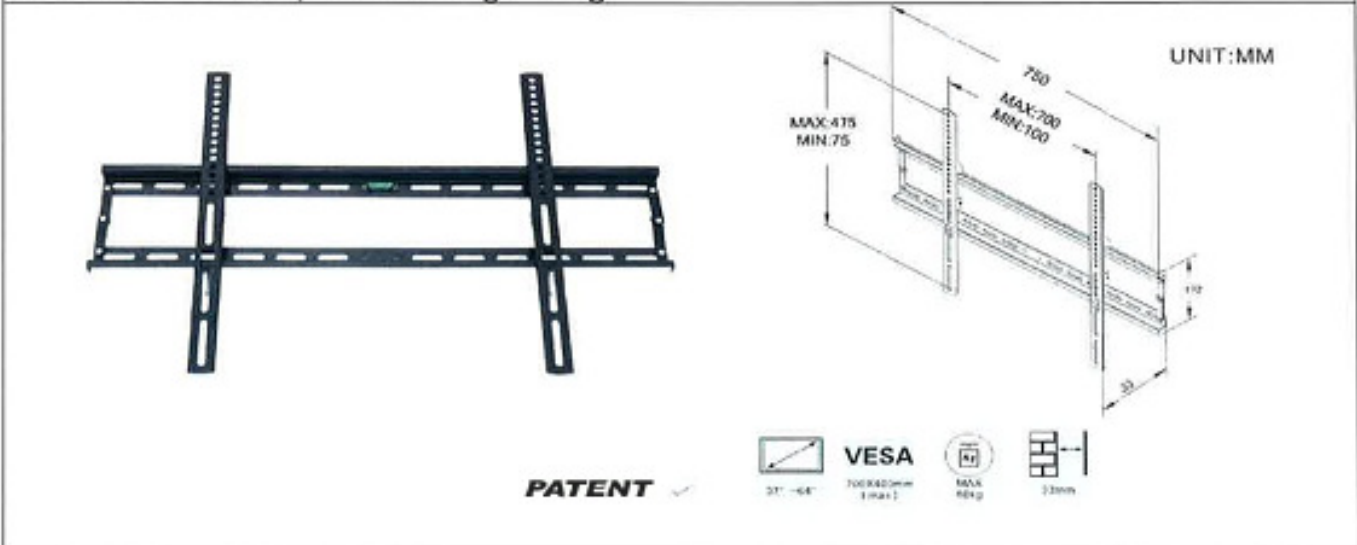
**GS-42/B:-** 71-05-0042  
Suitable for 25" ~ 42"; Max. Loading: 35 kg




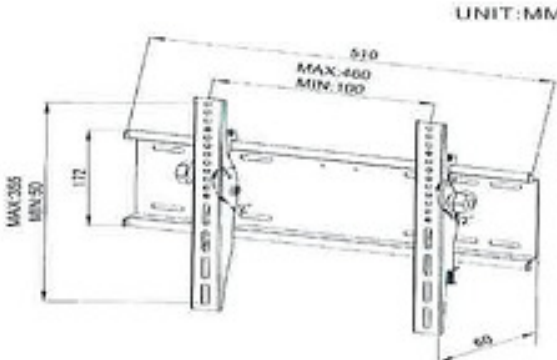
**GS-64/B:-**  
Suitable for 37" ~ 64"; Max. Loading: 60kg



**GS-52/B:-**  
Suitable for 37" ~ 64"; Max. Loading: 60kg



**GS-60/B:-**  
Suitable for 37" ~ 64"; Max. Loading: 60kg

UNIT:MM


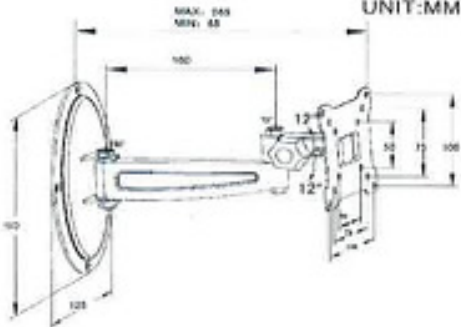
**PATENT** ✓

VESA 200x400mm (max 1)

MAX 35kg

80mm

**GS-37/B:-**  
Suitable for 25" ~ 42"; Max. Loading: 35 kg

UNIT:MM

**PATENT** ✓

VESA 100x100mm (max 1)

MAX 15kg

80mm-200mm

**GS-201/B:-**  
Suitable for 10" ~ 24"; Max Load: 15 kg




UNIT:MM

**PATENT** ✓

VESA 200x100mm (max 1)

MAX 25kg

80mm-120mm

**GS-202/B:-** 71-05-0202  
Suitable for 10" ~ 32"; Max Load: 25 kg



### Projector Series

UNIT:MM

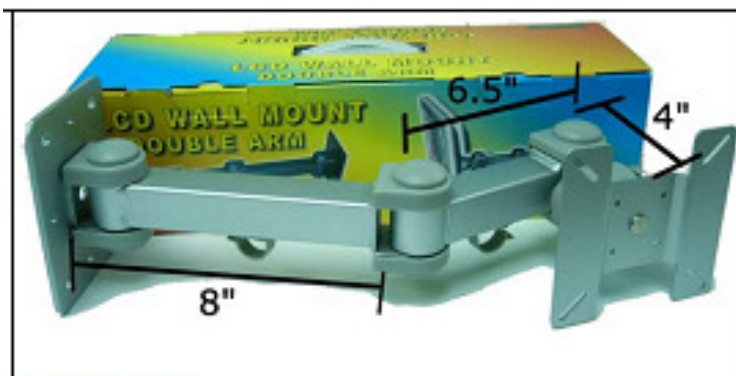
PC-40      PC-65

Technical drawing details:  
 - Top diameter:  $\varnothing 124$   
 - Shaft diameter:  $\varnothing 25$   
 - Height for PC-40: 400—650  
 - Height for PC-65: 650—1100  
 - Base rotation: 360°  
 - Base tilt: 30°  
 - Base diameter: MAX:  $\varnothing 420$ , MIN:  $\varnothing 120$

**PATENT** ✓

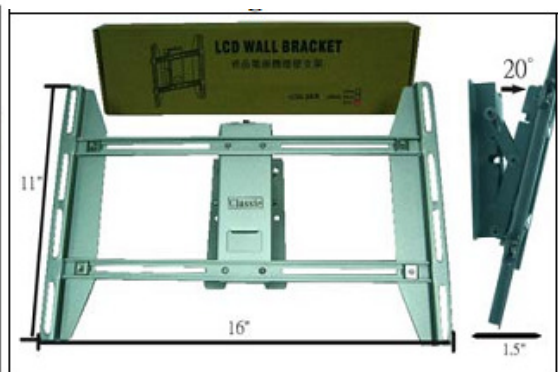
GS-PC40 ; GS-PC65:-  
Max. Loading: 11 kg;

### CLASSIC LCD WALL MOUNT



**LCDS-202/S**  
Suitable for 14"~22"  
Max Load: 15Kgs

71-05-0202



**LCDS-32L/S/B**  
Suitable for 14"~32"  
Max Load: 25Kgs

71-05-0032

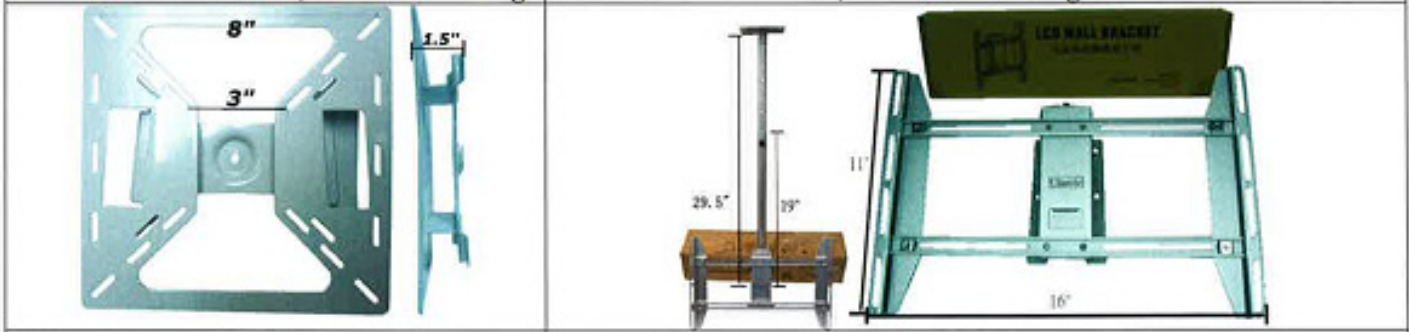
## CLASSIC LCD WALL MOUNT



**PDS-02/B:-**  
Suitable for 32" ~ 54"; Max Load: 75 kg



**LCDS-100/W/B:-** 71-05-9101/9100  
Suitable for 14" ~ 22"; Max Load: 6 kg



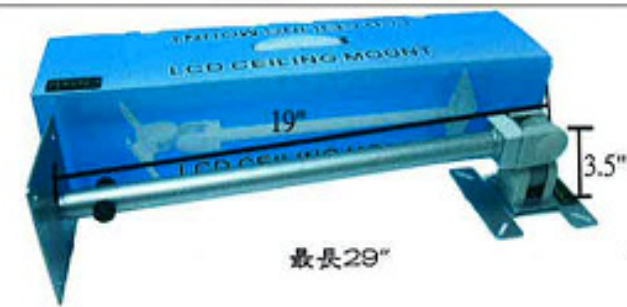
**PCS-32/W:-**  
Suitable for 14" ~ 26"; Max Load: 20 kg



**LCDS-001/S:-** 71-05-8001  
Suitable for 14" ~ 22"; Max Load: 6 kg

**LCDS-003/B:-** 71-05-0003  
Suitable for 14" ~ 22"; Max Load: 15 kg



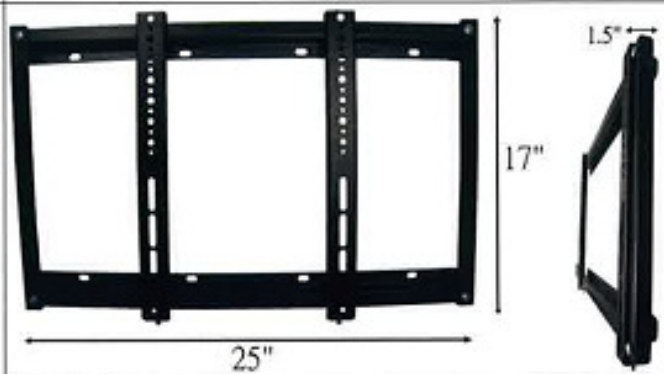
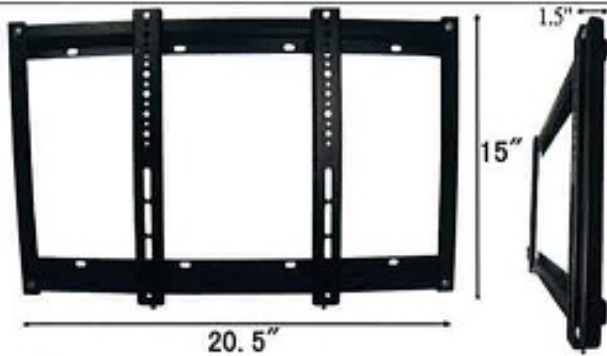


最長29"



**LCDS-105/B:-** 71-05-0105  
Suitable for 14" ~ 22"; Max Load: 15 kg

**LCDS-68/S:-**  
Suitable for 14" ~ 22"; Max Load: 15 kg



**PB-40/B:** 71-05-0040  
Suitable for 14" ~ 40"; Max Load: 35 kg

**PB-50/B:-**  
Suitable for 14" ~ 47"; Max Load: 40 kg



**B-27/B:-** 71-05-0027  
Suitable for 14" ~ 27"; Max Load: 20 kg

**PB-38/B:-**  
Suitable for 14" ~ 47"; Max Load: 40 kg



**GS-88/B:-** 71-05-0882  
Suitable for 10" ~ 25"; Max Load: 25 kg

**LCDA-800:-** 71-05-0800  
Suitable for 14" ~ 22"; Max Load: 15 kg

## “SPEAKER MOUNT”

