

## Neutrik – NAC3FCB



<b>Product</b>	
Connector Type	PowerCon
Gender	Female
<b>Electrical</b>	
Contact Resistance	≤ 3 mΩ
Dielectric Strength	4 kVdc
Insulation Resistance	> 0.1 GΩ (after damp heat test IEC 68-2-30)
Rated Current per Contact	20 A
Rated Voltage	250 V
<b>Mechanical</b>	
Cable O.D.	5 - 15 mm
Lifetime	> 1000 Mating Cycles
Wire Size	2,5 mm <sup>2</sup>
Wire Size	14 AWG
Wiring	Screw Type Terminals or Soldering
Locking Device	Quick Lock

<b>Material</b>	
Bushing	Polyamide (PA 6 15% GR)
Contact Plating	4 µm Ag
Contacts	Bronze (CuSn6)
Insert	Polyamide (PA 6 30 % GR)
Locking Element	Zinc diecast (ZnAl4Cu1)
Shell	Polyamide (PA 6 30 % GR)
Strain Relief	Polyacetal (POM)
<b>Environmental</b>	
Approvals	UL, VDE, Electroswiss
Flammability	UL 94 HB
Protection Class	IP 20 (mated)
Safety Requirements	EN/IEC 61984
Solderability	Complies with IEC 68-2-20
Temperature Range	-30 °C to +80 °C
<b>Mobiles Cable</b>	
Coding	A-type for Power Outlet (Color Coding Grey)

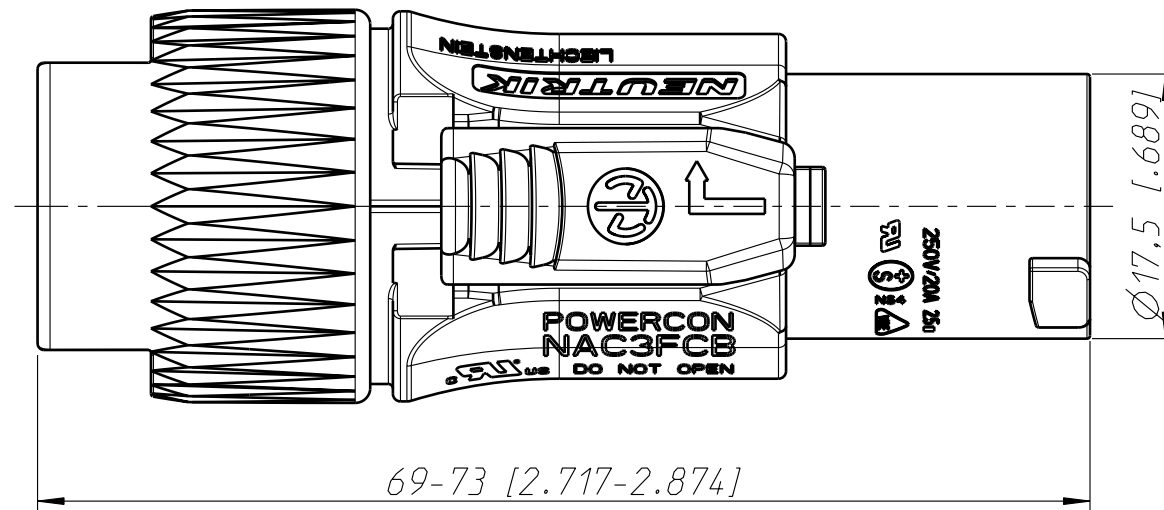
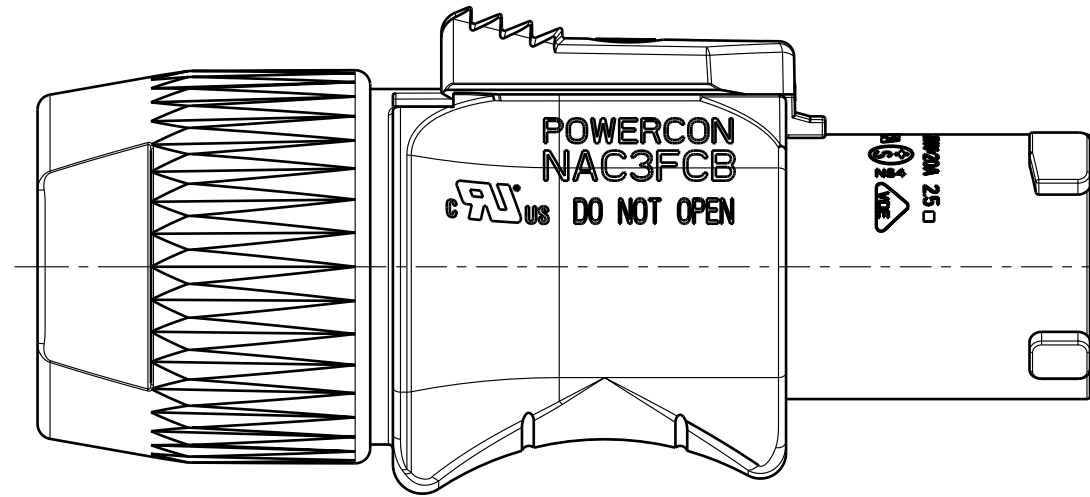
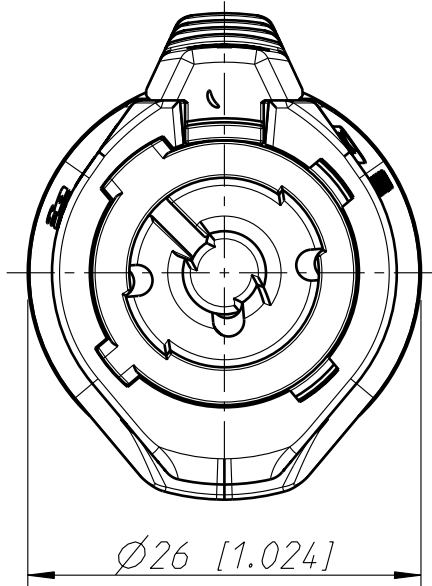
Cable connector, quick lock with securing lever, B-type for power-out, screw terminals

The powerCON is a locking 3 conductor equipment AC connector with contacts for line, neutral and pre-mating ground contact. It replaces appliance couplers wherever a very rugged solution in combination with a locking device is needed in order to guarantee a safe power connection.

**Attention:** The powerCON is a connector without breaking capacity, i.e. the powerCON should not be connected or disconnected under load or live!

## Features & Benefits

- Locking 20 A / 250 V ac appliance coupler
- 3 contacts for line, neutral and pre-mating safety ground
- power-in (blue) and power-out (grey) versions with different keying to avoid the possibility of intermating
- Fast and easy twist lock latching system
- Extremely robust and reliable
- Ergonomic design
- User friendly latch design for easy handling
- Unique Neutrik chuck type strain relief
- UL, cUL recognized components , VDE Certified , SEV Approved
- Branded with unique hologram - guarantees genuine and authentic Neutrik product



Allgemeintoleranzen ISO 2768-m	Werkstoff -	Massstab: 2:1 (A3)	Gezeichnet	21.09.99	Peter
			Freigegeben	-	-
Zeichnung urheberrechtlich geschuetzt (DIN 34) (C)	-	-	Geaendert	13.06.07	Ender
			Aend.-Nr.	-	Aend.-Index A
Benennung NAC3FCB NAC3FCB			Ersatz fuer: 3102St2002		Blatt 1 von 1 Bl.
NEUTRIK AG FL-9494 SCHAAN			Zeichn. Nr. ST-NAC3FCB		