

Neutrik – NAC3MPB-1



Product	
Connector Type	PowerCon
Gender	Male
Electrical	
Contact Resistance	≤ 3 mΩ
Dielectric Strength	4 kVdc
Insulation Resistance	> 0.1 GΩ (after damp heat test IEC 68-2-30)
Rated Current per Contact	20 A
Rated Voltage	250 V
Mechanical	
Lifetime	> 1000 Mating Cycles
Wiring	Flat Tabs for 3/16" (FASTON® 4.8 x 0.5 mm) or Soldering
Locking Device	Quick Lock
Mounting Direction	Front
Chassis Shape	D

Material	
Contact Plating	2 µm Ag
Contacts	Bronze (CuNiSi0.2)
Locking Element	Steel Ck67
Shell	Polyamide (PA 6.6 30 % GR)
Environmental	
Approvals	UL, VDE, Electroswiss
Flammability	UL 94 V-0
Protection Class	IP 20 (mated)
Safety Requirements	EN/IEC 61984
Solderability	Complies with IEC 68-2-20
Temperature Range	-30 °C to +80 °C
Mobiles Cable	
Coding	A-type for Power Outlet (Color Coding Grey)

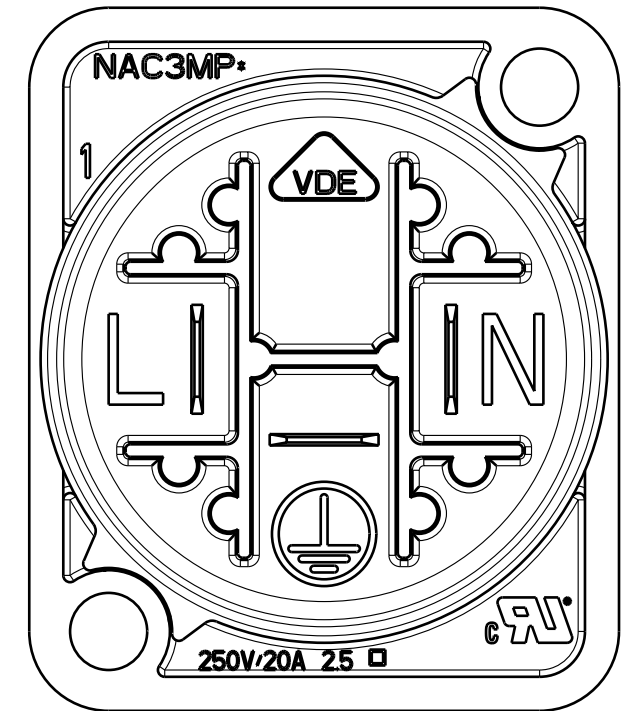
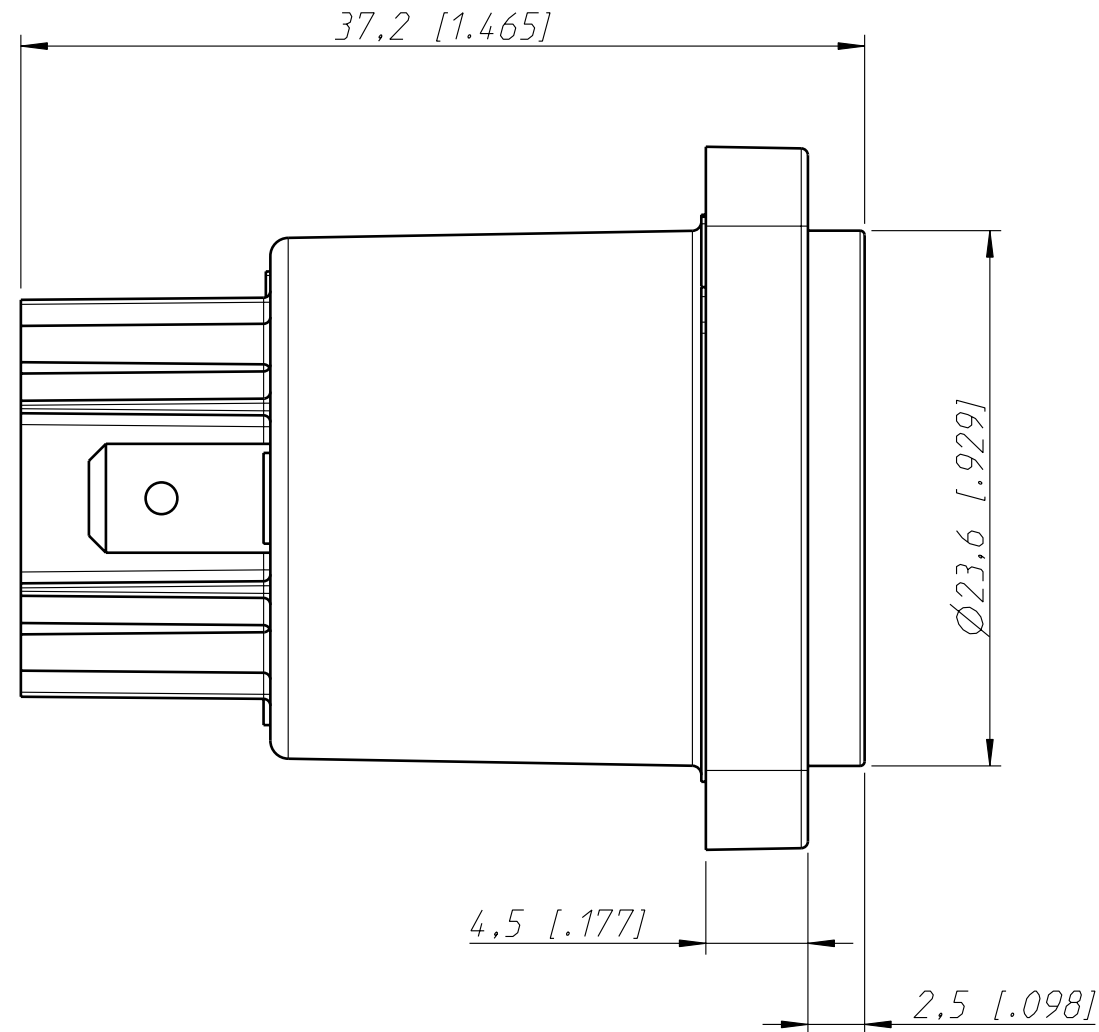
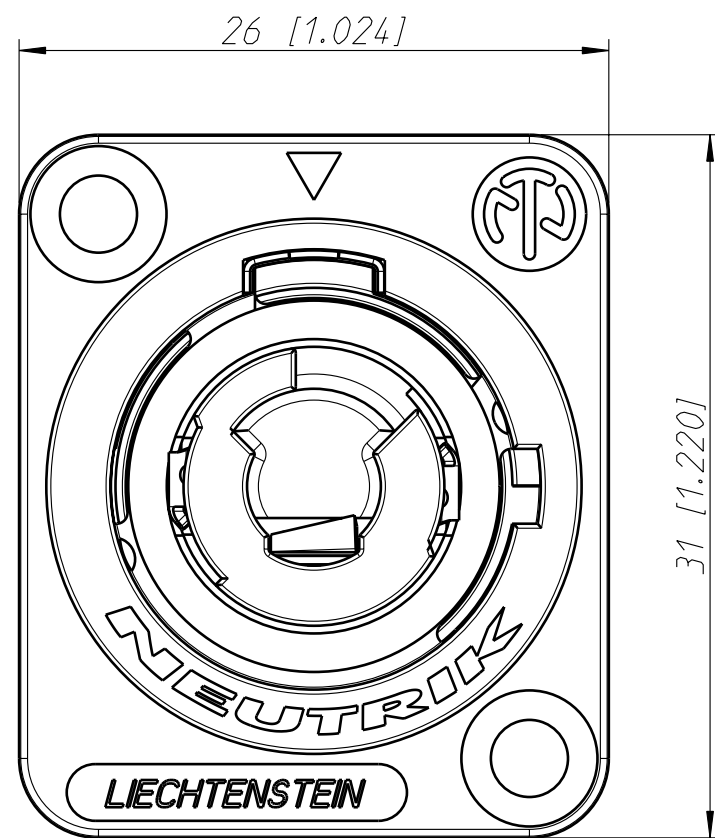
Air tight chassis connector, B-type for power-out, flat tab terminals

The PowerCON is a locking 3 conductor equipment AC connector with contacts for line, neutral and pre-mating ground contact. It replaces appliance couplers wherever a very rugged solution in combination with a locking device is needed in order to guarantee a safe power connection.

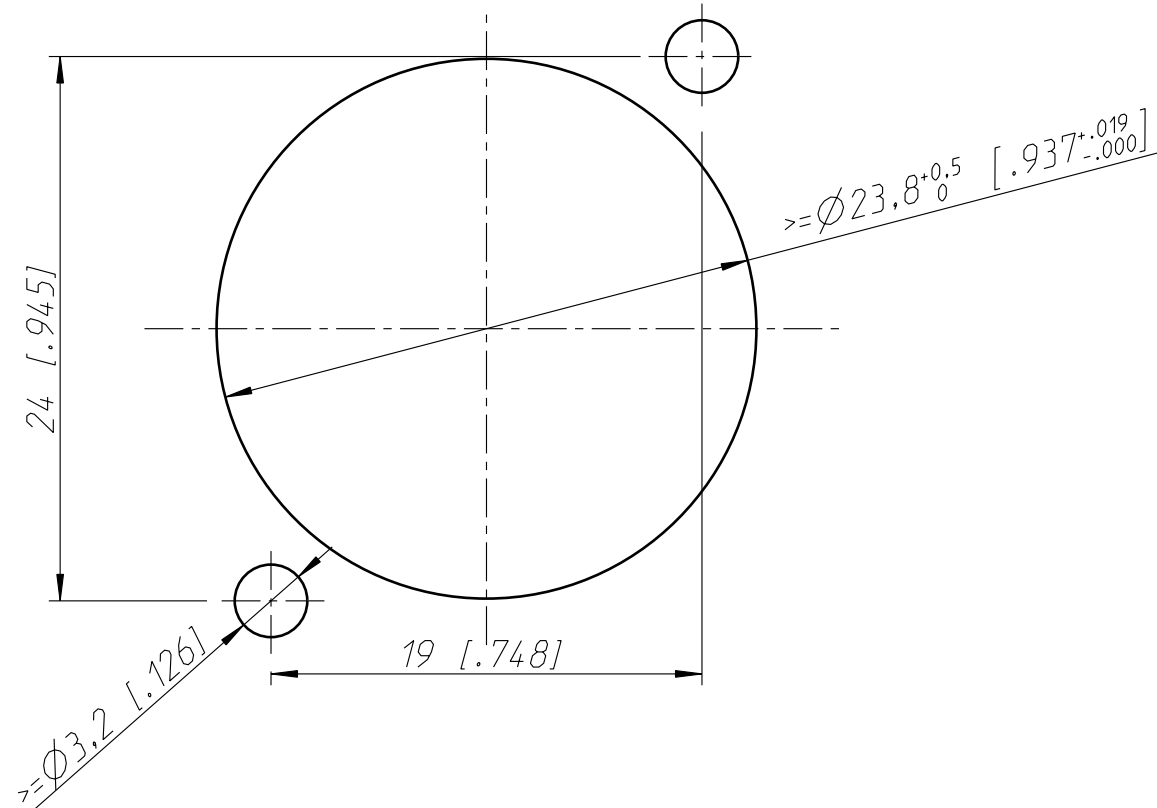
Attention: The powerCON is a connector without breaking capacity, i.e. the powerCON should not be connected or disconnected under load or live!

Features & Benefits

- Lockable 3-pole equipment (AC) connector with contacts for line, neutral and pre-mating safety ground.
- High current capacity, rated at 20A / 250V ac
- Fast and easy locking system
- Extremely robust and reliable
- Excellent cable retention
- UL, C-UL recognized components
- VDE and SEV approved



Frontplattenausschnitt (Rueckseite)
Panel cut out (rear side)



Allgemeintoleranzen ISO 2768-m	Werkstoff	Massstab:	Datum	Name
Zeichnung urheberrechtlich geschuetzt (DIN 34) (C)	-	3:1 (A3)	24.08.09	Hofmann
Benennung			Aend.-Nr.	Aend.-Index
NAC3MPB-1			-	-
NAC3MPB-1			Ersatz fuer:	Blatt 1 von 1 Bl.
NEUTRIK AG FL-9494 SCHAAN			Zeichn. Nr.	ST-NAC3MPB-1