



Ergonomic quick lock



Bushing with secure key



Overmolded ready made cable



Locking key



1/4" flat tabs

powerCON TRUE1 - Lockable 16 A single phase connector

NEW



NAC3FX



NAC3MX



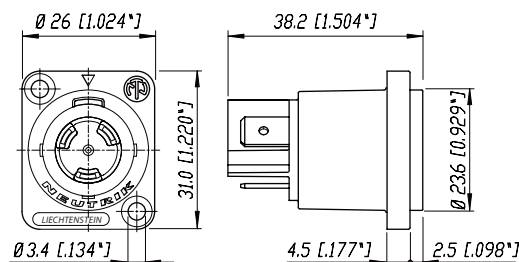
NAC3MPX



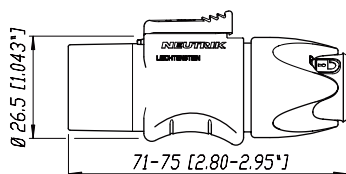
NAC3PX

- True mains connector with breaking capacity (CBC)
- Lockable 16 / 20 A single phase connector
- Complete system with inlet and outlet connectors
- Unique duplex chassis connector - combines inlet and outlet coupler
- IP65 - water resistant ready-made cord sets
- VDE certified according to IEC 60320
- Easy and reliable locking system
- UL recognized

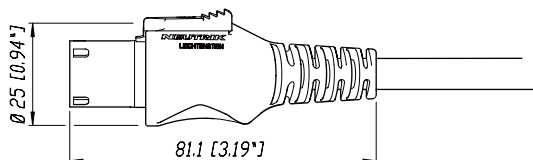
NAC3MPX



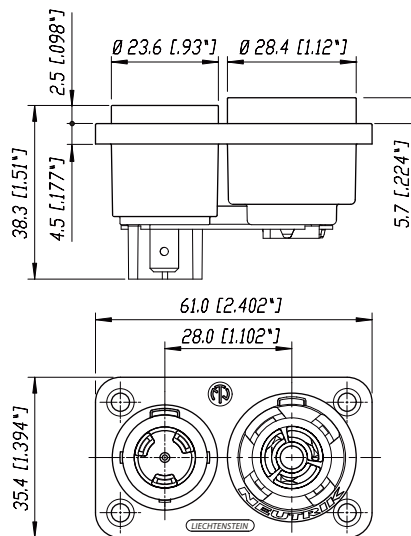
NAC3MX



NKA3FX



NAC3PX



Ordering Information

Cable Connector

NAC3FX	Mains cable connector, female CBC, screw terminals
NAC3MX	Mains cable connector, male CBC, screw terminals
NKAC3F-x-y-z	Overmolded ready-made cable with NAC3FX on one side and
	x ... different length in m or ft
	y ... EU or US version (H05VV, SJT)
	z ... different termination on second end

Chassis Connector

NAC3MPX	Mains chassis connector male CBC, 1/4" flat tab terminals
NAC3PX	Mains chassis duplex, 1/4" flat tab terminals

Accessories



SCDP-*



SCNAC-PX

SCDP-*	D-Size sealing gaskets, colour coding (*: 0- black, 2- red, 4- yellow, 5- green, 6- blue, 9- white)
SCNAC-PX	Sealing cover duplex IP65

Mating scenarios:

