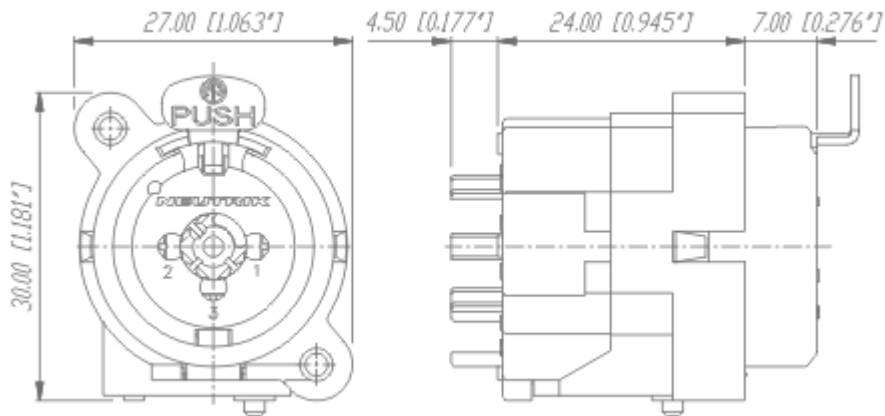




Neutrik –NCJ6FI-S



Product	
Connector Type	Plug
Gender	Male
Electrical	
Contact Resistance	< 10 mΩ (XLR)
Dielectric Strength	1,5 kVdc
Insulation Resistance	> 2 GΩ (Initial)
Insulation Resistance	> 0.5 GΩ (After Damp Heat test)
Rated Current per Contact	7,5 A (XLR)
Rated Current per Contact	7,5 A (Jack)
Rated Voltage	50 V
Grounding Options	Separate ground contact to mating connector shell and front panel
Mechanical	
Insertion Force	≤ 25 N
Withdrawal Force	≤ 25 N
Lifetime	> 1000 mating cycles
Panel Thickness	Max. 7 mm 0.27"
Wiring	Solder Contacts
Locking Device	Latch Lock
Mounting Direction	Rear

Material	
Contact Plating	0.2 µm Au hard alloy over 2 µm Ni (XLR and switch contacts)
Contacts	Bronze (CuSn6)
Insert	Polyamide (PA 6.6 30 % GR)
Locking Element	Steel Ck67
Environmental	
Flammability	UL 94 HB
Protection Class	IP 40
Solderability	Complies with IEC 68-2-20
Temperature Range	-30 °C to +80 °C

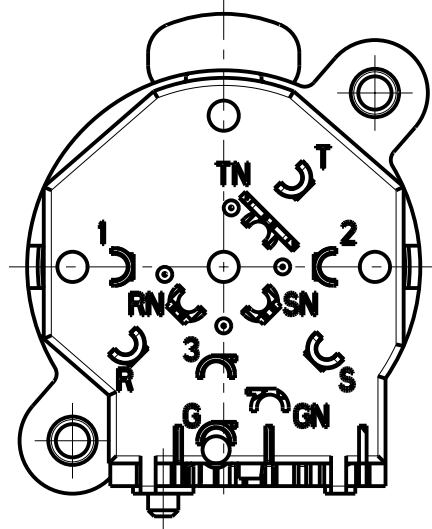
3 pole XLR female receptacle with 1/4" stereo jack without switching contact, solder cups

XLR / jack hybrid chassis connector combining 3 pole XLR receptacle and 1/4" jack.

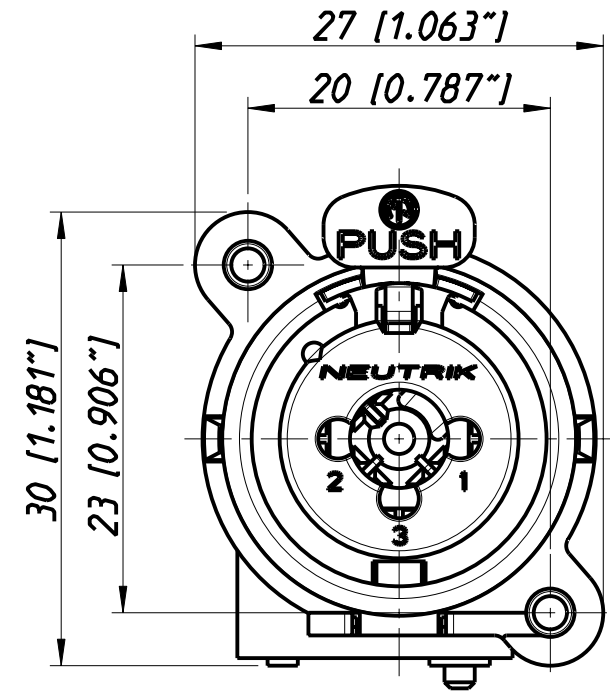
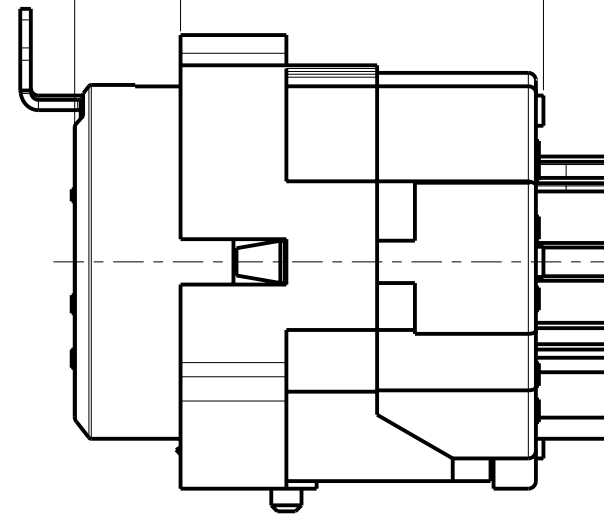


Features & Benefits

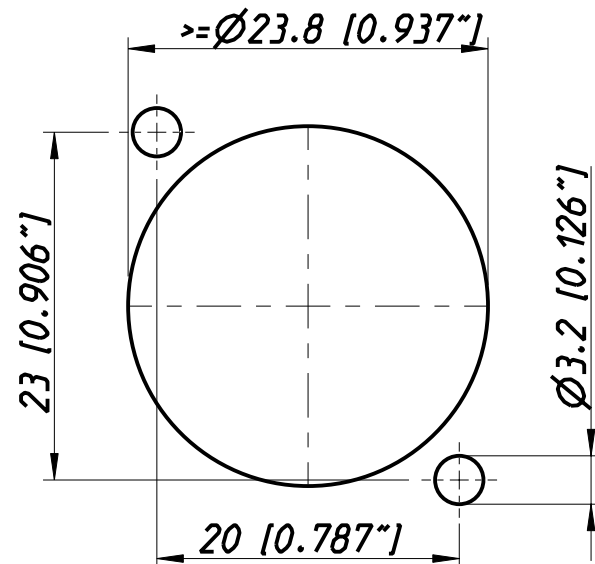
- Combined XLR receptacle and 1/4" phone jack
- Balanced or line inputs in one XLR shell
- Saves rack space by combining 2 connectors in one housing
- Very low conductor capacitance, therefore suitable for digital audio



7 [10.276"] 24 [10.945"] 4.5 [10.177"]

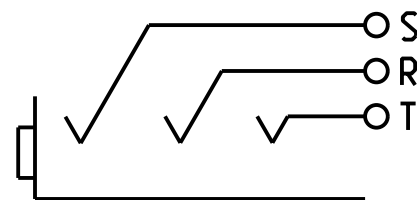


Frontplattenausschnitt (Frontseite)
Panel cut out (front side)

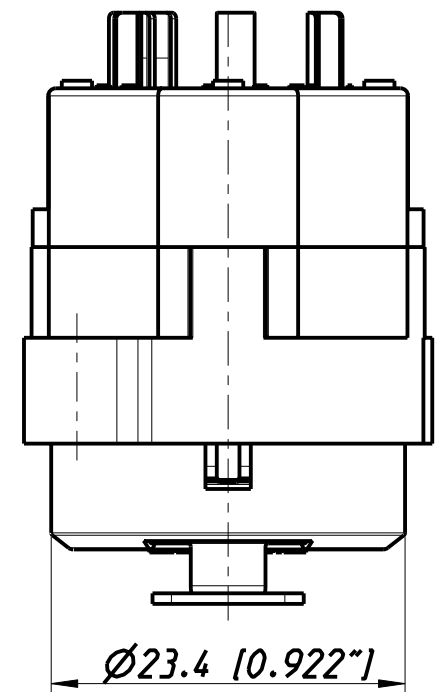
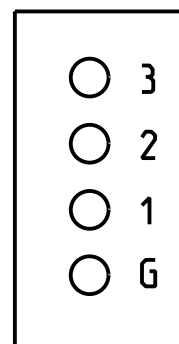


CONTACTS

JACK



XLR



Allgemeintoleranzen ISO 2768-m	Werkstoff	Massstab:	Datum	Name
	KEIN_MAT	2:1 (A3)	25.05.98	Dobler
Zeichnung urheberrechtlich geschützt (DIN 34) (C)	-	-	Freigegeben	-
			Geaenderl	07.11.03
Benennung			Aend.-Nr.	Aend.-Index
- NC J6F1-S			245-2003	A
			Ersatz fuer:	Blatt 1 von 1 Bl.
NEUTRIK AG FL-9494 SCHAAN			Zeichn. Nr.	
			3102ST1728	