

Neutrik – NA3M5F

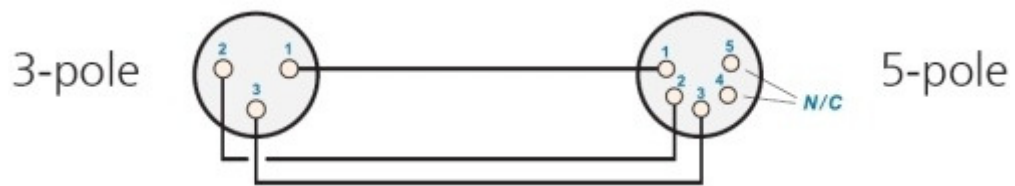


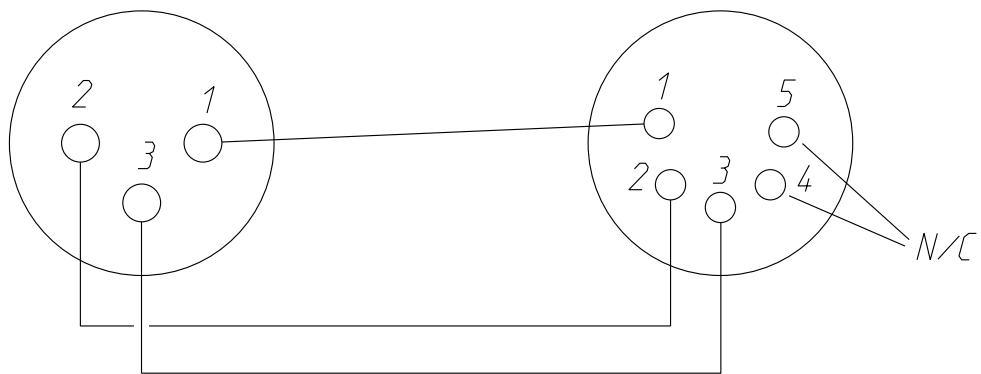
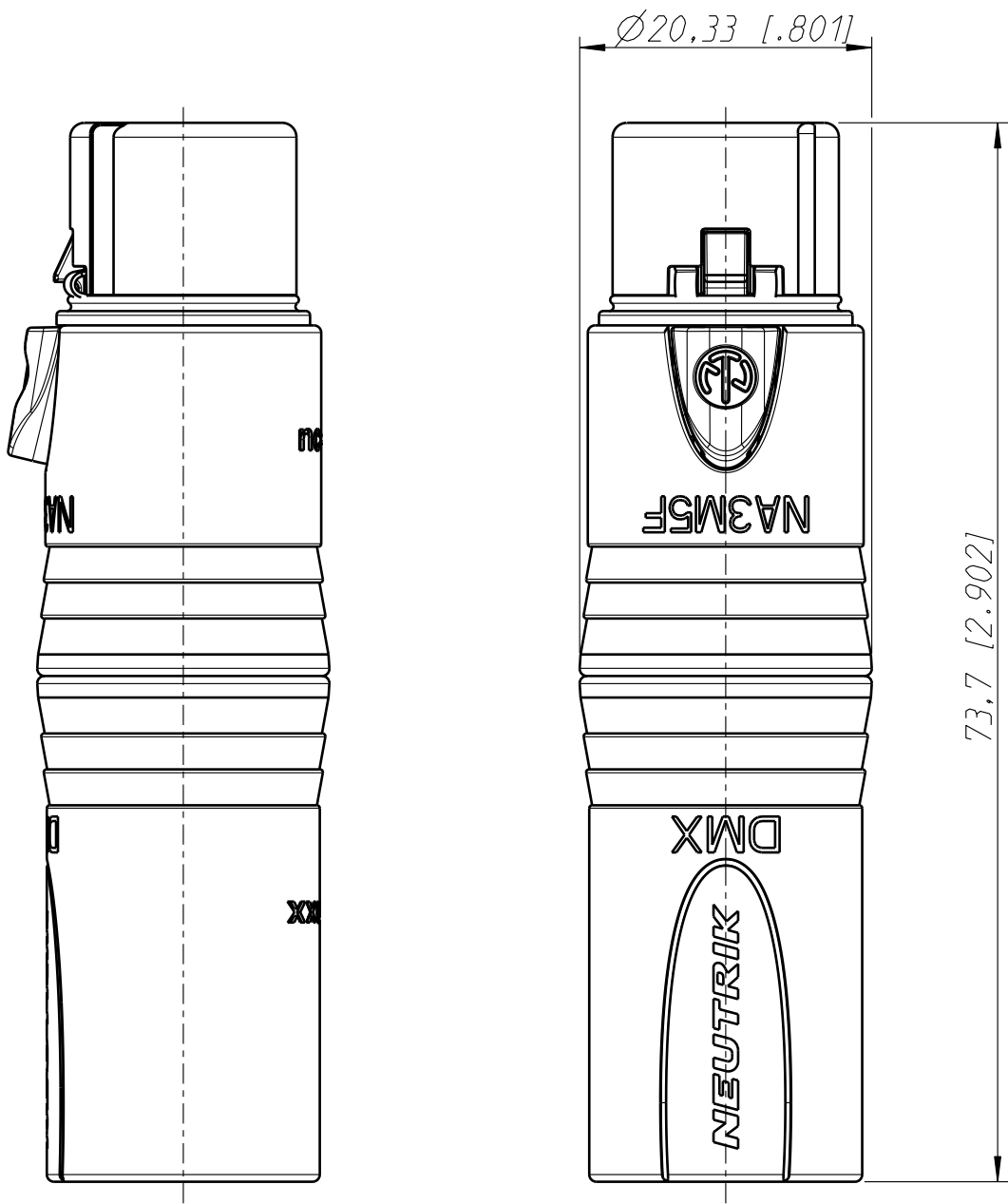
Product	
Connector Type	Adapter
Electrical	
Contact Resistance	< 3 mΩ
Dielectric Strength	1,5 kVdc
Insulation Resistance	> 2 GΩ
Rated Current per Contact	7,5 A
Mechanical	
Insertion Force	< 20 N
Withdrawal Force	< 20 N
Lifetime	> 1000 Mating Cycles
Locking Device	Latch Lock
Material	
Contact Plating	2 μm Ag
Contacts	Brass (CuZn39Pb3)
Insert	Polyamide (PA 6.6 30 % GR)
Shell	Zinc Diecast (ZnAl4Cu1)
Shell Plating	Nickel
Environmental	
Temperature Range	-30 °C to +80 °C

XLR 3 pole male - XLR 5 pole female for lighting (DMX) applications

Features & Benefits

- Compact XLR 3 to 5 pole adapters for lighting (DMX) applications
- Solve interconnection problems of the old (3-pole) and new (5-pole) DMX standard
- Based on the worldwide accepted standard XLR connectors
- Reliable and rugged diecast shell





Allgemeintoleranzen ISO 2768-m	Werkstoff KEIN_MAT	Massstab: 2:1 (A4)	Datum	Name
			Gezeichnet	30.01.06
Zeichnung urheberrechtlich geschuetzt (DIN 34) (C)	-		Freigegeben	-
			Geaendert	-
Benennung NA3M5F NA3M5F			Aend.-Nr.	Aend.-Index
			-	-
NEUTRIK AG FL-9494 SCHAAN			Ersatz fuer:	Blatt 1 von 1 Bl.
			Zeichn. Nr.	ST-NA3M5F