

Neutrik – NA3F5M

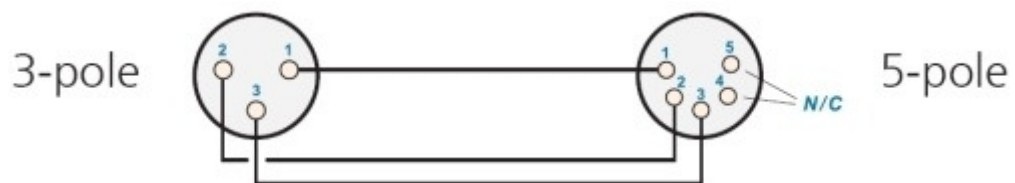


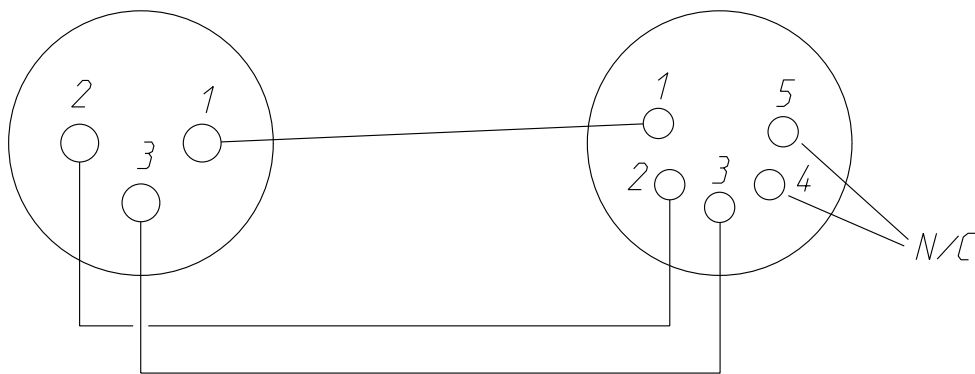
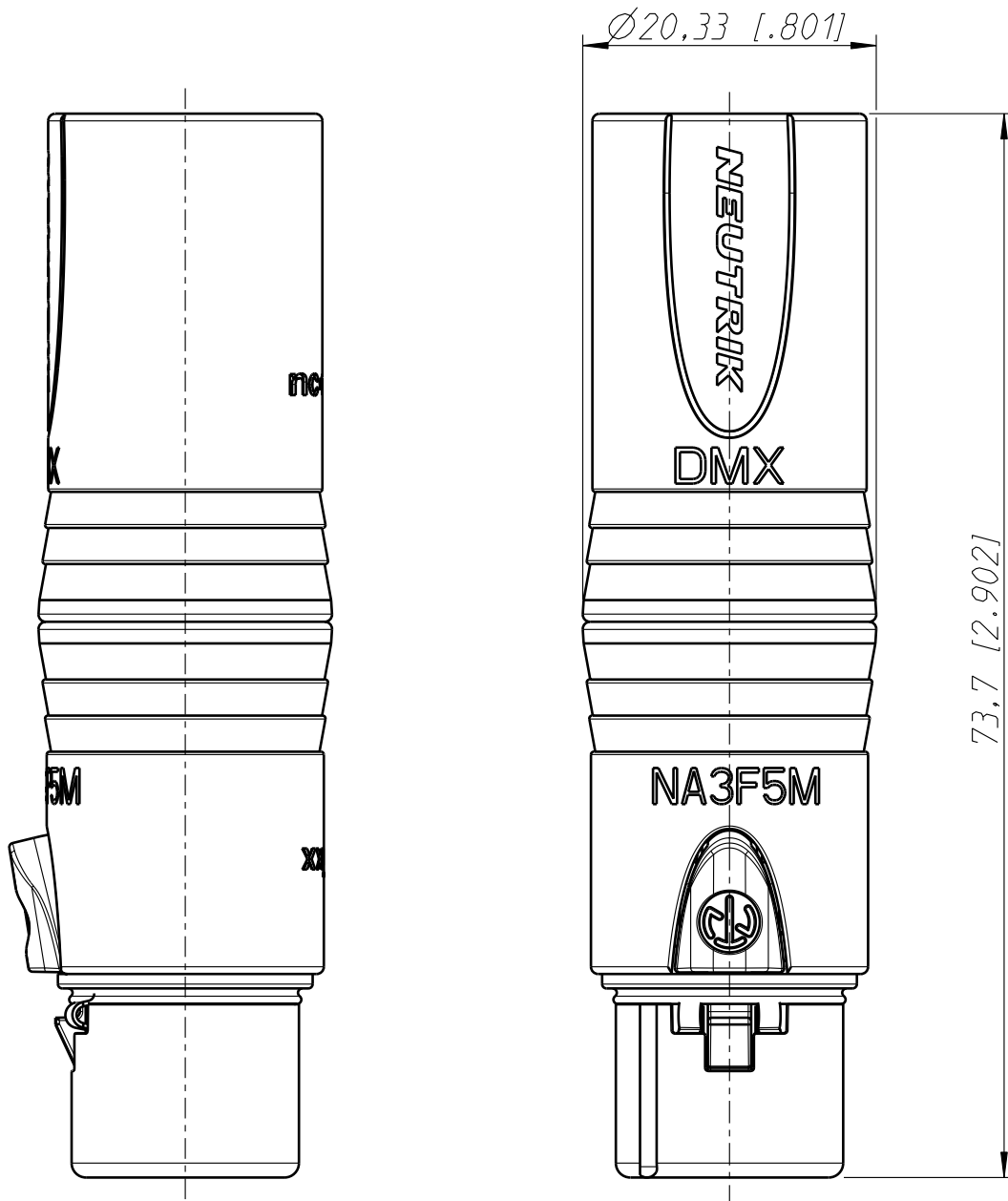
| Product | |
|---------------------------|----------------------------|
| Connector Type | Adapter |
| Electrical | |
| Contact Resistance | < 3 mΩ |
| Dielectric Strength | 1,5 kVdc |
| Insulation Resistance | > 2 GΩ |
| Rated Current per Contact | 7,5 A |
| Mechanical | |
| Insertion Force | < 20 N |
| Withdrawal Force | < 20 N |
| Lifetime | > 1000 Mating Cycles |
| Locking Device | Latch Lock |
| Material | |
| Contact Plating | 2 μm Ag |
| Contacts | Brass (CuZn39Pb3) (male) |
| Contacts | Bronze (CuSn6) (female) |
| Insert | Polyamide (PA 6.6 30 % GR) |
| Shell | Zinc diecast (ZnAl4Cu1) |
| Shell Plating | Nickel |
| Environmental | |
| Temperature Range | -30 °C to +80 °C |

XLR 3 pole female - XLR 5 pole male for lighting (DMX) applications

Features & Benefits

- Compact XLR 3 to 5 pole adapters for lighting (DMX) applications
- Solve interconnection problems of the old (3-pole) and new (5-pole) DMX standard
- Based on the worldwide accepted standard XLR connectors
- Reliable and rugged diecast shell





| | | | | | |
|---|-----------------------|--------------------------|--------------|----------------------|-------|
| Allgemeintoleranzen ISO 2768-m | Werkstoff KEIN_MAT | Massstab: 2:1 (A4) | | Datum | Name |
| | | | Gezeichnet | 30.01.06 | Ender |
| Zeichnung urheberrechtlich geschuetzt (DIN 34) (C) | - | | Freigegeben | - | - |
| | | | Geaendert | - | - |
| Benennung NA3F5M NA3F5M | | | Aend.-Nr. | Aend.-Index | |
| | | | - | - | |
| | | | Ersatz fuer: | Blatt 1 von 1 Bl. | |
| NEUTRIK AG FL-9494 SCHAAN | | | Zeichn. Nr. | ST-NA3F5M | |