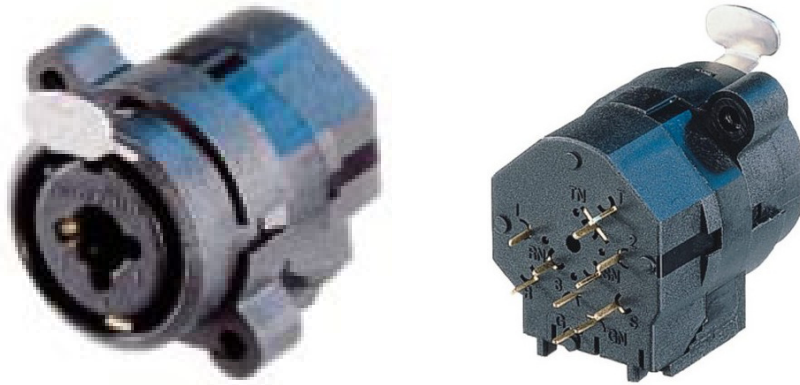




Neutrik - NCJ9FI-V

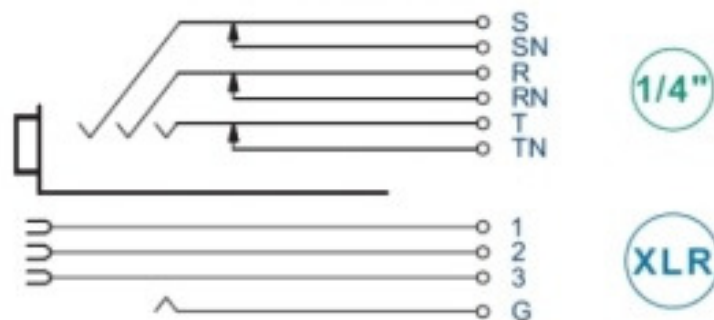


Product	
Connector Type	Combo
Gender	Female
Electrical	
Contact Resistance	< 10 mΩ (XLR)
Dielectric Strength	1,5 kVdc
Insulation Resistance	> 2 GΩ (initial)
Insulation Resistance	> 0.5 GΩ (after damp heat test)
Rated Current per Contact	7,5 A (XLR)
Rated Current per Contact	7,5 A (Jack)
Rated Voltage	50 V
Switching Contacts	3
Grounding Options	Separate ground contact to mating connector shell and front panel
Mechanical	
Insertion Force	≤ 25 N
Withdrawal Force	≤ 25 N
Lifetime	> 1000 mating cycles
Panel Thickness	Max. 7 mm 0.27"
Wiring	Vertical PCB Mount
Locking Device	Latch Lock
Mounting Direction	Rear

Material	
Contact Plating	0.2 μm Au hard alloy over 2 μm Ni (XLR and Switch Sontacts)
Contacts	Bronze (CuSn6)
Insert	Polyamide (PA 6.6 30 % GR)
Locking Element	Steel Ck67
Environmental	
Flammability	UL 94 HB
Protection class	IP 40
Solderability	Complies with IEC 68-2-20
Temperature Range	-30 °C to +80°C

3 pole XLR female receptacle with 1/4" switching stereo jack, vertical PCB mount

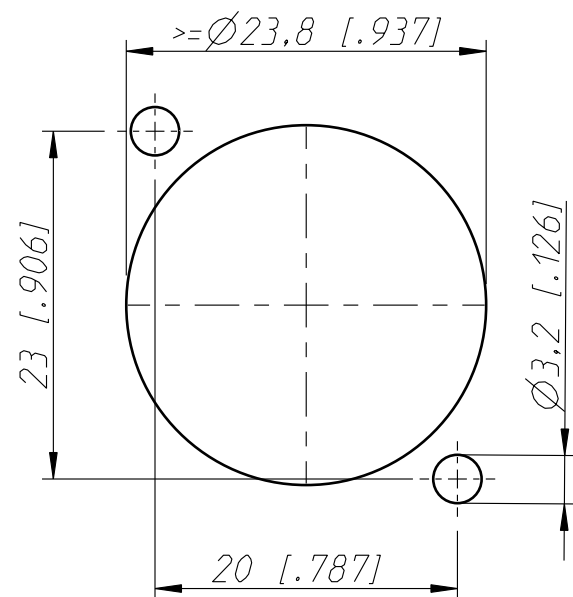
XLR / jack hybrid chassis connector combining 3 pole XLR receptacle and 1/4" jack.



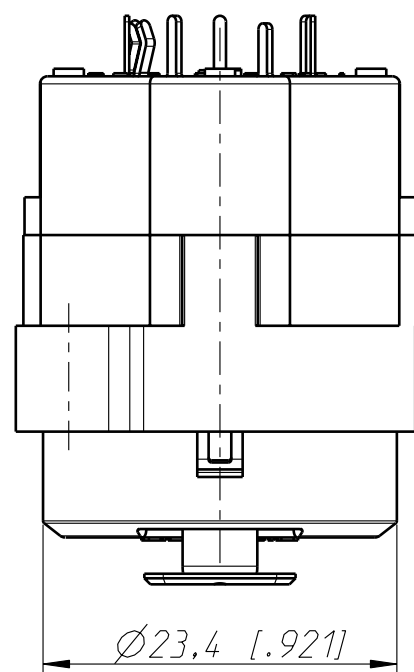
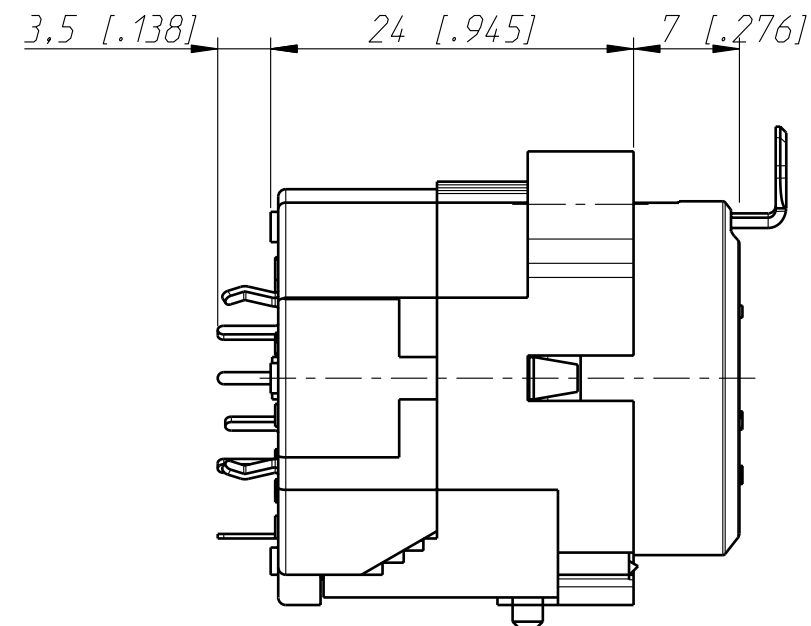
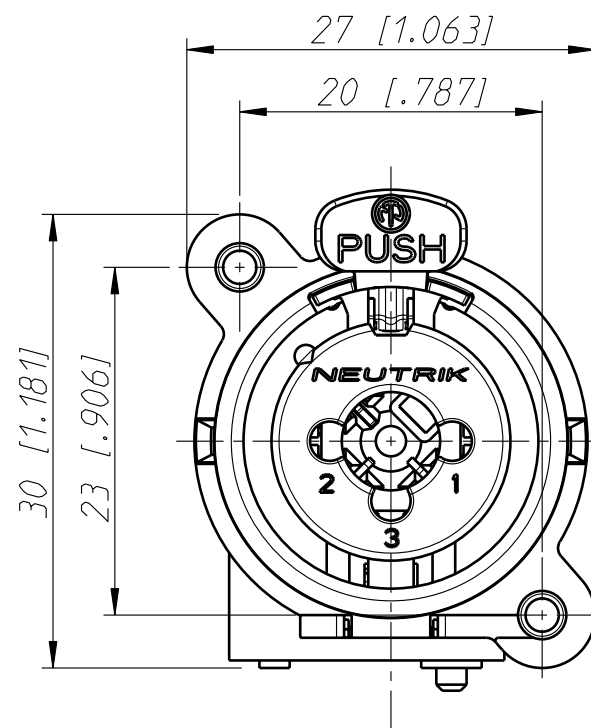
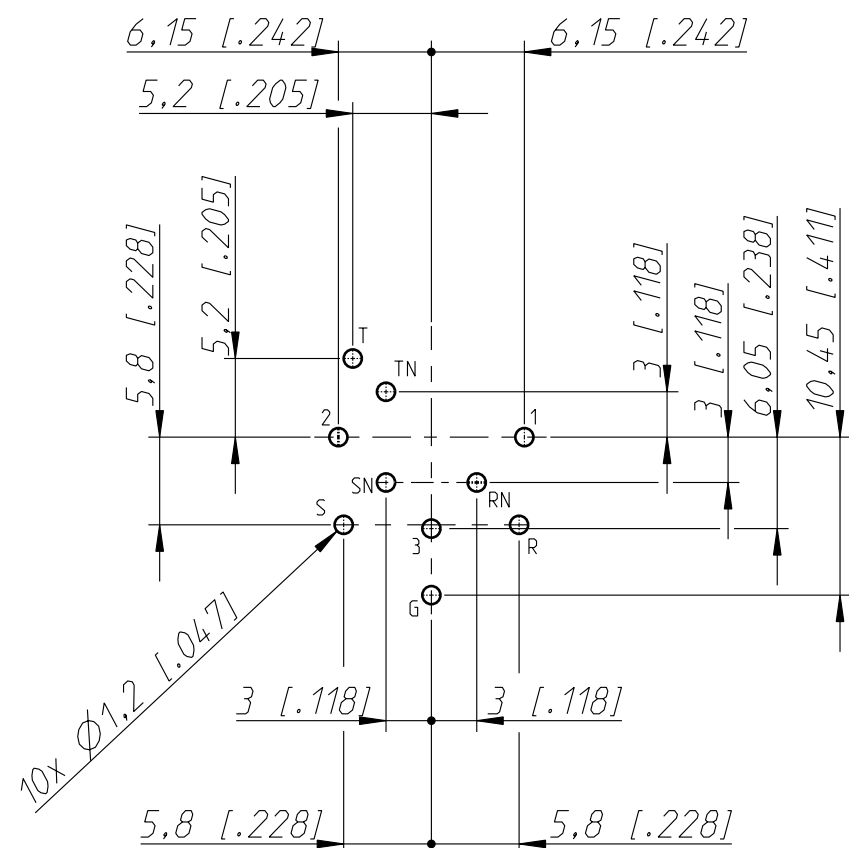
Features & Benefits

- Combined XLR receptacle and 1/4" phone jack
- Balanced or line inputs in one XLR shell
- Saves rack space by combining 2 connectors in one housing
- Very low conductor capacitance, therefore suitable for digital audio

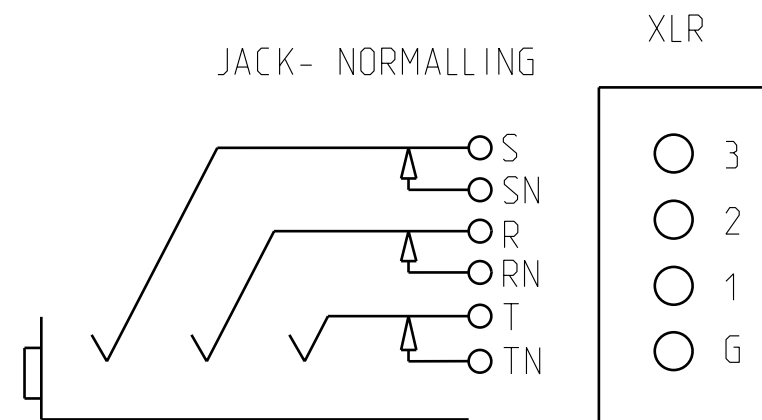
Frontplattenausschnitt (Frontseite)
Panel cut out (front side)



Print-Bohrplan (Bestueckungsseite)
PCB-Layout (component side)



NORMALLING-SCHEMES



Allgemeintoleranzen ISO 2768-m	Werkstoff -	Massstab: 2:1 (A3)	Gezeichnet	Datum	Name
			Freigegeben	16.04.98	Dobler
Zeichnung urheberrechtlich geschuetzt (DIN 34) (C)	-	-	Geaendert	07.11.03	Payr
			Aend.-Nr. 245-2003		Aend.-Index B
Benennung NC J9FI-V NC J9FI-V			Ersatz fuer: 3102ST1710	Blatt 1 von 1 Bl.	
NEUTRIK AG FL-9494 SCHAAN			Zeichn. Nr.	ST-NC J9FI-V	