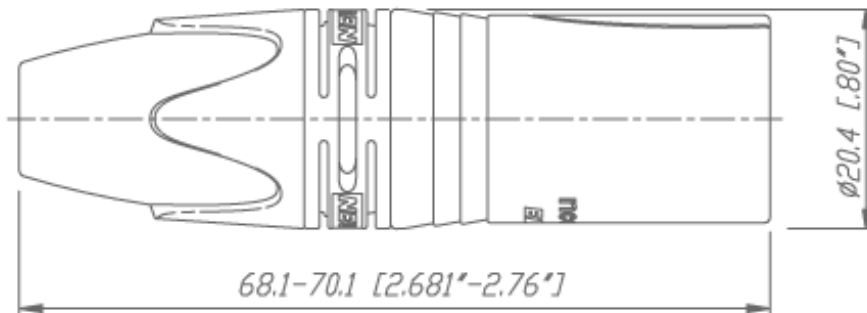




Neutrik – NC5MXX



Product	
Connector Type	XLR
Gender	Male
Electrical	
Capacitance between Contacts	≤ 7 pF
Contact Resistance	≤ 3 m Ω
Dielectric Strength	1,5 kVdc
Insulation Resistance	> 2 G Ω (Initial)
Insulation Resistance	> 1 G Ω (After Damp Heat Test)
Rated Current per Contact	7.5 A
Rated Voltage	50 V
Mechanical	
Cable O.D.	3.5 - 8.0 mm
Insertion Force	≤ 20 N
Withdrawal Force	≤ 20 N
Lifetime	> 1000 Mating Cycles
Wire Size	Max. 1.0 mm ²
Wire Size	Max. 18 AWG
Wiring	Solder Contacts
Locking Device	Latch Lock

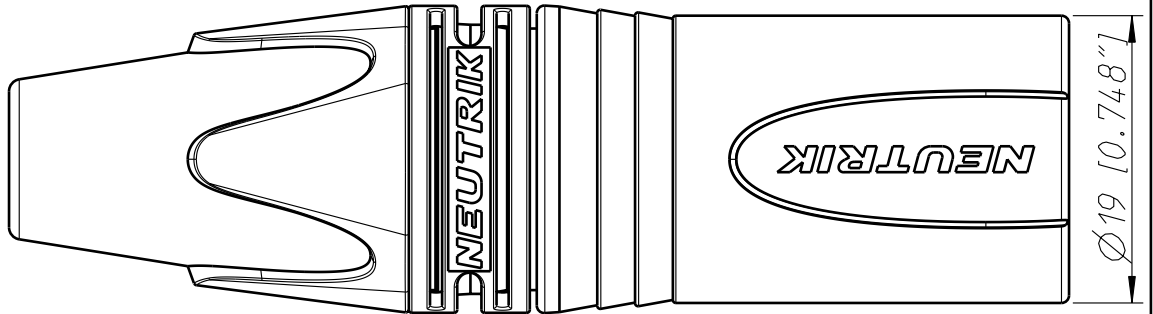
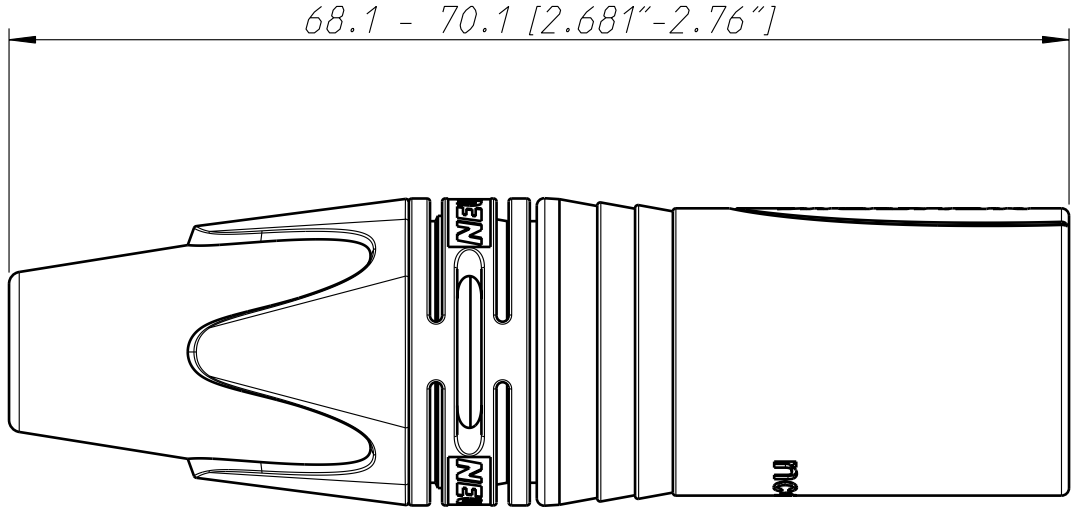
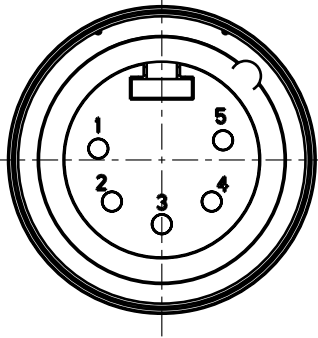
Material	
Boot	Polyuretan
Bushing	Polyamide (PA 6 15% GR)
Contact Plating	2 µm Ag over 2 µm Ni
Contacts	Brass (CuZn39Pb3)
Insert	Polyamide (PA 6.6 30 % GR)
Locking Element	Zinc diecast (ZnAl4Cu1)
Shell	Zinc diecast (ZnAl4Cu1)
Shell Plating	Nickel
Strain Relief	Polyacetal (POM)
Environmental	
Flammability	UL 94 HB
Standard Compliance	IEC 61076-2-103
Protection Class	IP 40
Solderability	Complies with IEC 68-2-20
Temperature Range	-30 °C to +80 °C

The next generation of the worldwide accepted standard of XLR cable connectors. The successor of the X series offers several new features which make it more reliable, easier to assemble and improves contact integrity as well cable strain relief.

5 pole male cable connector with Nickel housing and silver contacts.

Features & Benefits

- Male connector with improved locking recess without "window", more stringent housing increases durability
- Improved chuck type strain relief provides higher pull-out force and makes assembly easier and faster
- Boot with polyurethane gland gives high protection to cable bending stresses
- Colored rings and boots available for coding or identification
- Sleek and ergonomic design - valuable and handy
- Rugged zinc diecast shell, long lasting and dependable
- Internal thread on shell is well protected against any damage



Allgemeintoleranzen ISO 2768-m	Werkstoff KEIN_MAT	Massstab: 2:1 (A4)	Gezeichnet	06.12.05	jutz b
			Freigegeben	-	-
Zeichnung urheberrechtlich geschuetzt (DIN 34) (C)	-		Geaendert	17.04.07	jutz b
			Aend.-Nr.	-	Aend.-Index B
Benennung XX-Serie NX5MXX			Ersatz fuer:	Blatt 1 von 1 Bl.	
			NEUTRIK AG FL-9494 SCHAAN		