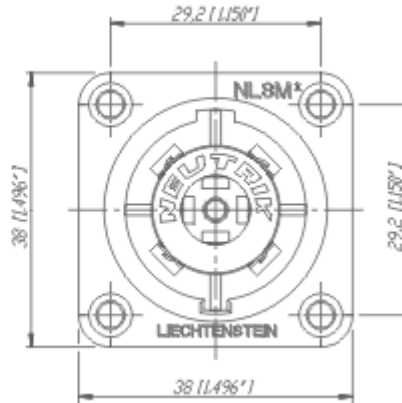
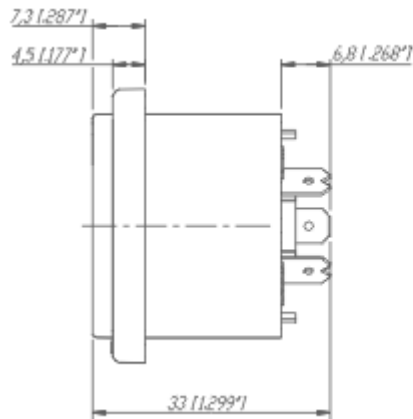




Neutrik –NL8MPR



Product	
Connector Type	SpeakOn
Gender	Male
Electrical	
Contact Resistance	≤ 3 mΩ (After Lifetime)
Dielectric Strength	4 kVdc (peak)
Insulation Resistance	> 1 GΩ (After Damp Heat)
Rated Current per Contact	30A RMS Continuous
Rated Current per Contact	40 A Audio Signal, Duty Cycle 50 %
Rated Voltage	250 V (Insulation)
Attention	SpeakON is NOT to be used as an AC mains connector!
Mechanical	
Lifetime	> 5000 Mating Cycles
Wiring	Flat Tabs for 3/16" (FASTON® 4.8 x 0.5 mm) or Soldering
Locking Device	Quick Lock (Latch)
Mounting Direction	Rront & Rear
Chassis Shape	Square G-size Flange
Layout	Four Thru Holes

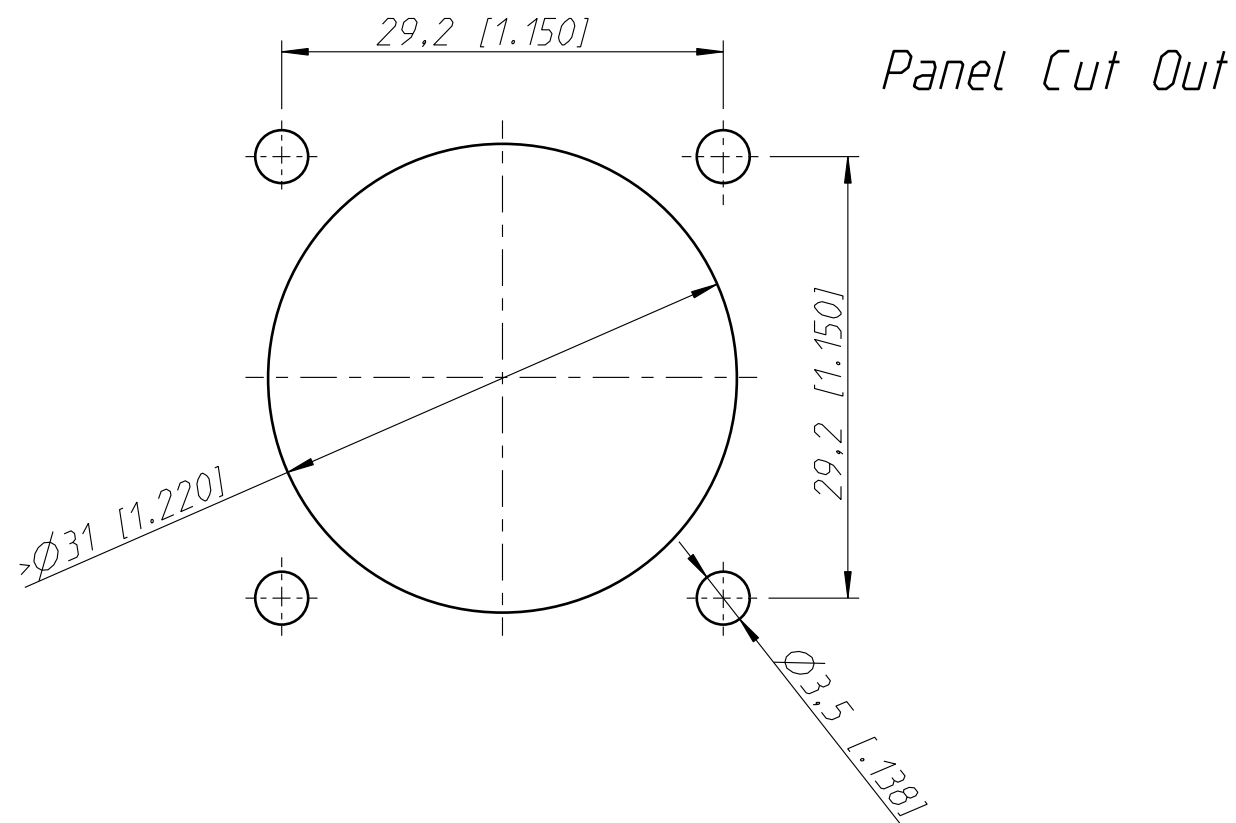
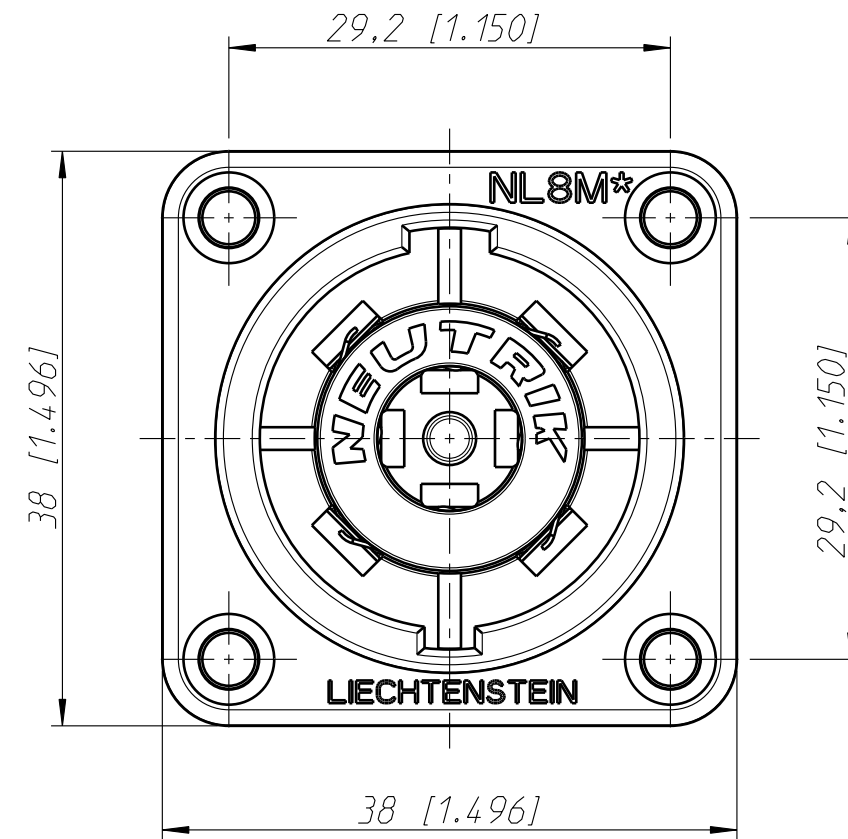
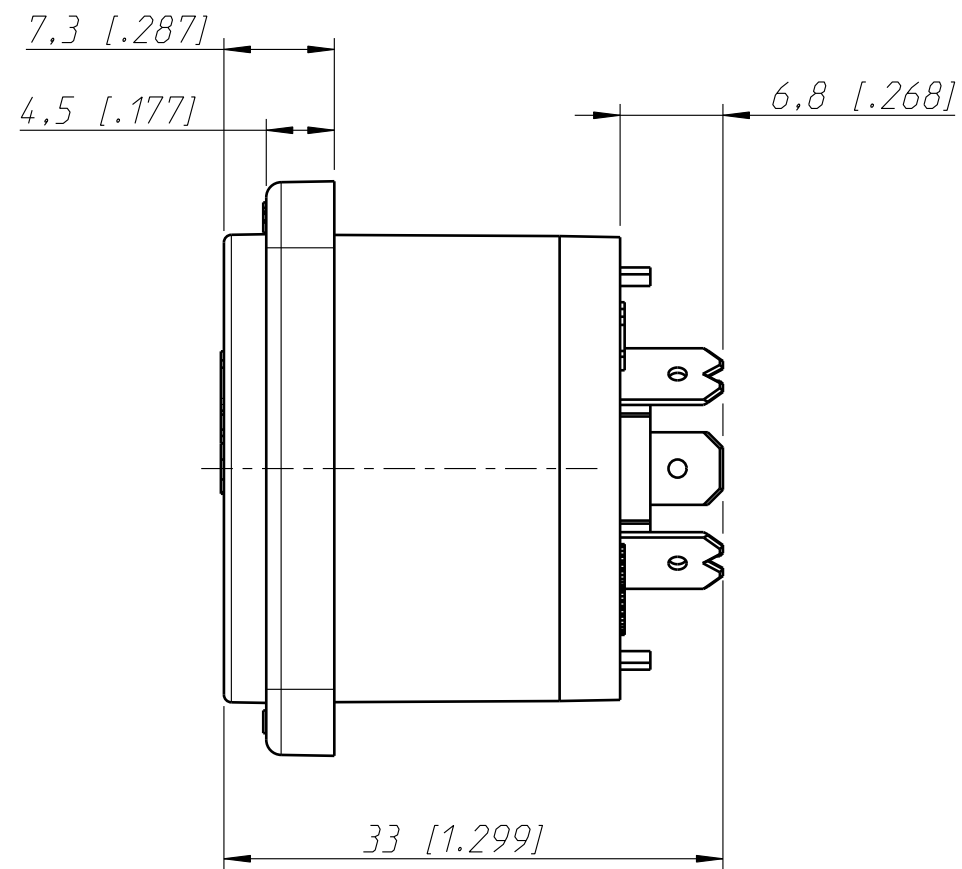
Material	
Contact Plating	4 µm Ag
Contacts	Bronze (CuSn6)
Shell	Polyamide (PA 6 30 % GR)
Environmental	
Flammability	UL 94 HB
Solderability	Complies with IEC 68-2-20
Temperature Range	-30 °C to +80 °C

8 pole chassis connector, nickel metal square G-size flange, countersunk thru holes, 3/16" flat tabs

The state-of-the-art chassis connector for loudspeaker / amplifier applications. They feature a unique locking system, robust plastic housing and high current silver plated contacts.

Features & Benefits

- Standard current rating 30 Amp
- High current version up to 40 Amp audio current
- Glass reinforced materials make it extremely robust and dependable
- Precise keyway for secure mating
- Accurate twist lock latching system
- Metal flange
- Airtight design - optimized for speaker applications



Allgemeintoleranzen ISO 2768-m	Werkstoff KEIN_MAT	Massstab: 2:1 (A3)	Gezeichnet	Datum	Name
			Freigegeben	07.10.03	Hofmann Th.
Zeichnung urheberrechtlich geschuetzt (DIN 34) (C)	-		Geändert	-	-
			Aend.-Nr.	-	Aend.-Index -
Benennung NL8MPR NL8MPR			Ersatz fuer:	Blatt 1 von 1 Bl.	
NEUTRIK AG FL-9494 SCHAAN			Zeichn. Nr.	ST-NL8MPR	