

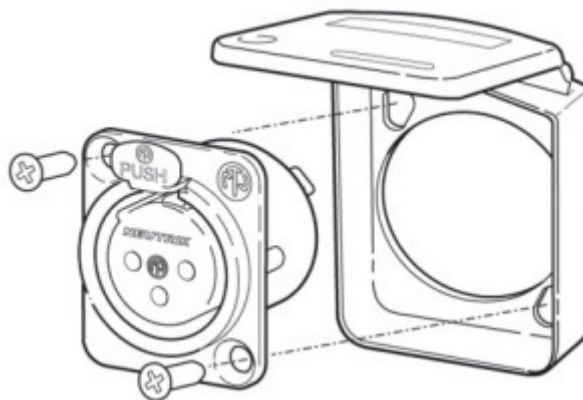
Neutrik – SCDX



Hinged cover for all D-size chassis connectors

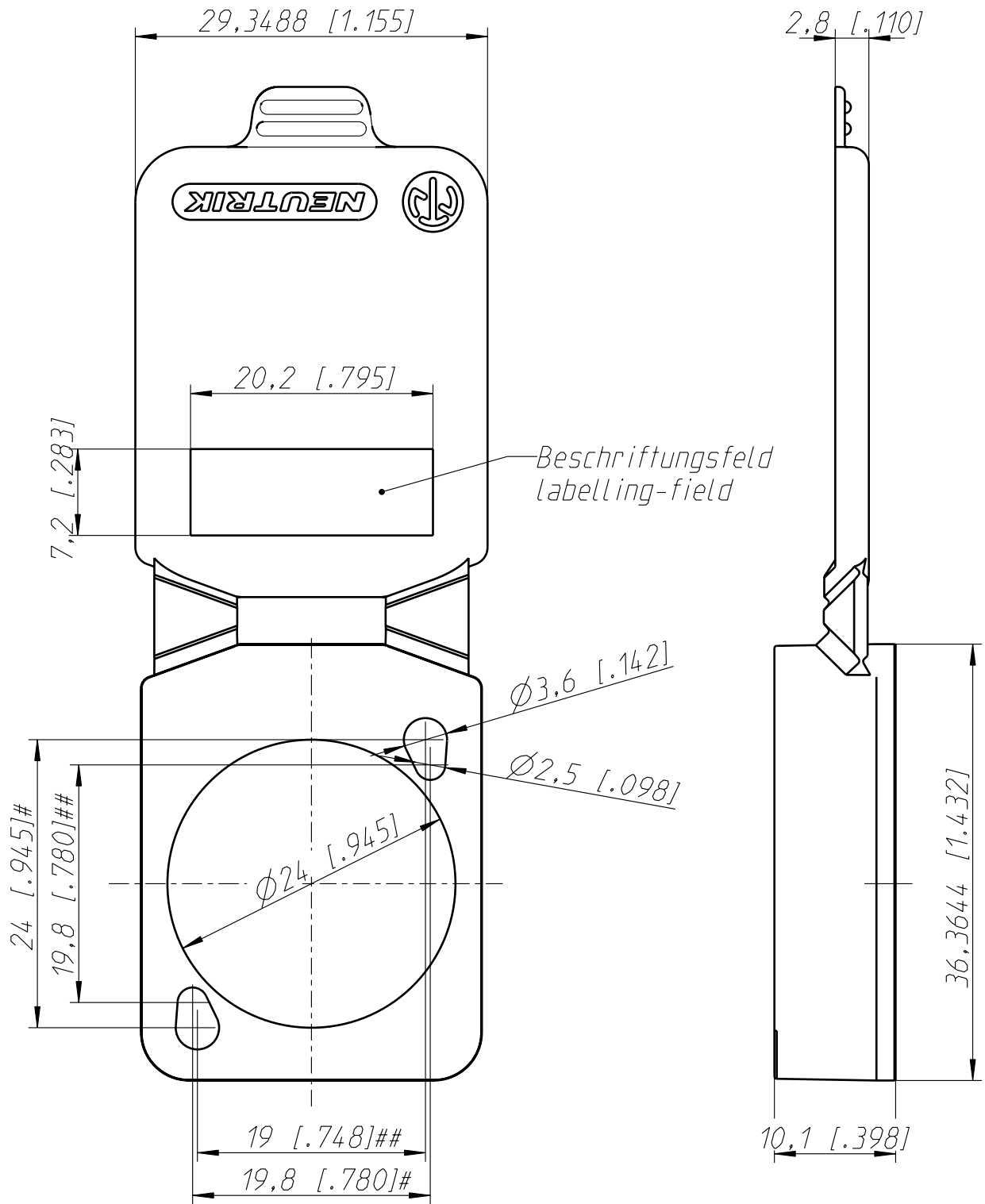
This hinged cover seals D-size chassis connectors from water, dust and dirt in unmated condition according to IP42. It is available in different colors.

- SCDX - Black (if used with opticalCON, black indicates multimode)
- SCDX-5 - Green (if used with opticalCON, green indicates singlemode APC)
- SCDX-6 - Blue (if used with opticalCON, blue indicates singlemode PC)
- SCDX-9 - White (e.g. walloutlet)



Features & Benefits:

- IP42 protection against dust and splash water
- Suitable for all D-size receptacles
- Snap fit
- Lettering space



NC*FA*

NC*FD*

Allgemeintoleranzen ISO 2768-m	Werkstoff	Massstab:	Datum	Name
	KEIN_MAT	2:1 (A4)	18.10.06	Payr
Zeichnung urheberrechtlich geschuetzt (DIN 34) (C)	-	-	-	-
	-	-	-	-
Benennung			Aend.-Nr.	Aend.-Index
NO2-4FD SCDX Klappdeckel			-	-
NEUTRIK AG FL-9494 SCHAAN			Ersatz fuer:	Blatt 1 von 1 Bl.
			Zeichn. Nr.	ST-SCDX