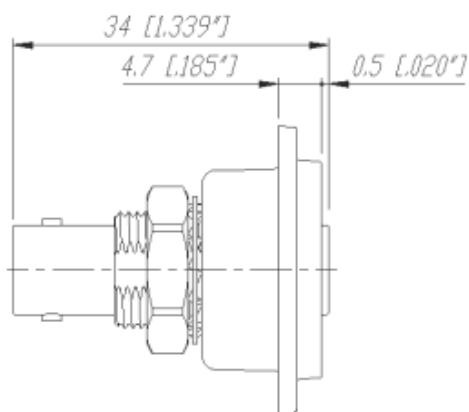
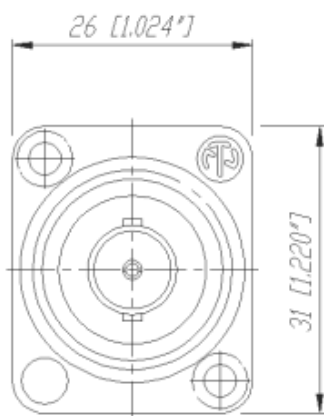


Neutrik - NBB75DFG



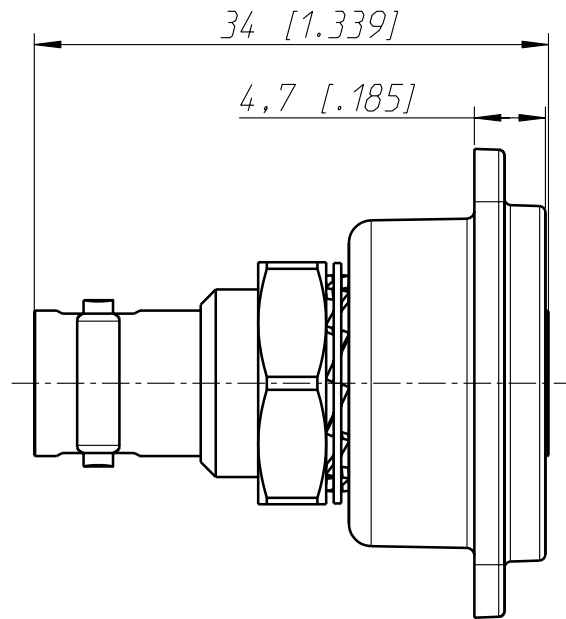
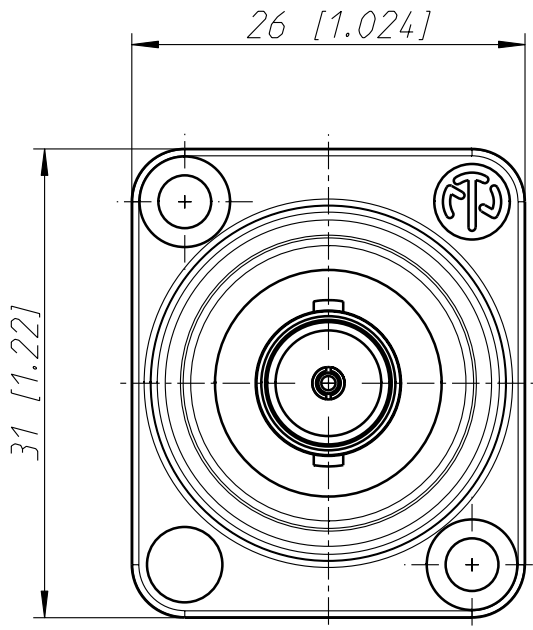
Product	
Connector Type	BNC 75 Ohm
Gender	female
Electrical	
Signal Type	HD, SDI, Video, AES/EBU, Composit, YUV, RGB, RGBH, RGBHV
Contact resistance	$\leq 3 \text{ m}\Omega$ (inner)
Dielectric Strength	1,5 kVdc
Impedance	75 Ω
Insulation resistance	$> 5 \text{ G}\Omega$
Rated voltage	500 V
VSWR	$\leq 1.03 / > 37 \text{ dB}$ up to 1 GHz $\leq 1.05 / > 32 \text{ dB}$ up to 2 GHz $\leq 1.08 / > 28 \text{ dB}$ up to 3 GHz
Mechanical	
Insertion force	$< 25 \text{ N}$
Lifetime	> 1000 mating cycles
Locking device	Bayonett
Mounting direction	front
Chassis shape	D

Material	
Contacts	Brass (CuZn39Pb3) (Ground contact)
Contacts	Brass (CuZn39Pb3), 0.2 μm AuCo (Center contact)
Insert	Teflon PTFE
Shell	Brass (CuZn39Pb3)
Shell	Polyacetal (POM) (Insulation Sheell)
Shell plating	Optalloy®
D-Shape housing	Zinc diecast (ZnAl4Cu1) gal Ni plating
Environmental	
Standard compliance	IEC 6016908, MIL 348A
Temperature range	--30 °C to +85 °C

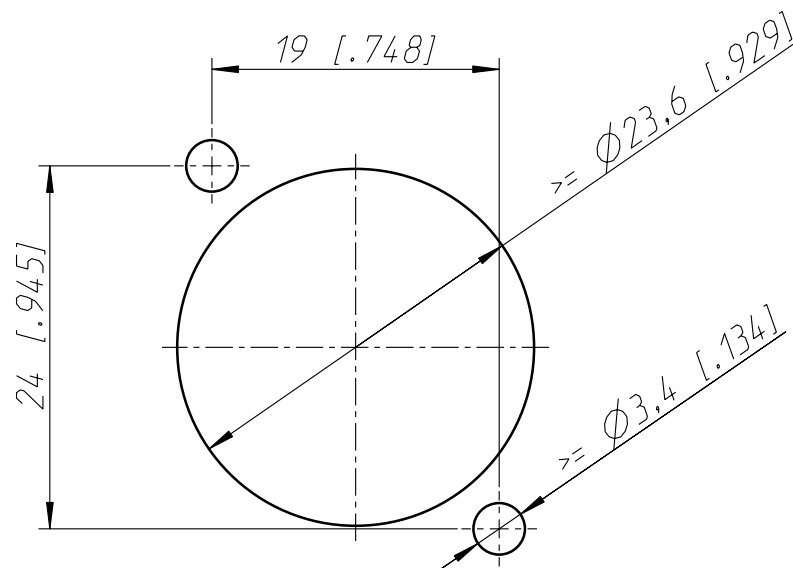
Grounded bulkhead jack, feedthrough in nickel D-shape housing

Features & Benefits:

- Gold plated center contact
- True 75 Ω design meets the stringent HD requirements
- Grounded panel mount
- Standard D-shape housing
- Recessed bulkhead jack
- Color coding possible



*Frontplattenausschnitt
Panel cut out*



Allgemeintoleranzen ISO 2768-m	Werkstoff -	Massstab: 2:1 (A4)	Datum	Name
			Gezeichnet	11.12.02
Zeichnung urheberrechtlich geschuetzt (DIN 34) (C)	-	-	Freigegeben	-
			Geaendert	-
Benennung		Aend.-Nr.	Aend.-Index	
NBB75DFG		-	A	
BULKHEAD FEED THROUGH GROUNDED D-HOUSE		Ersatz fuer: 3102ST2507	Blatt 1 von 1 Bl.	
NEUTRIK AG FL-9494 SCHAAN		Zeichn. Nr.	ST-NBB75DFG	