

RJ-BCJRU

75Ω Type RCA to BNC RECESSED Bulkhead Jack (Female) to Jack (Female)
Mounts in Common Canare Hole Punch
Totally Isolated from Panel
≤1.1 VSWR DC-100MHz

RJ-RU

75Ω Type RCA RECESSED Bulkhead Jack (Female) to Solder Cup
Mounts in Common Canare Hole Punch
Totally Isolated from Panel
≤1.1 VSWR DC-100MHz

RJ-BCJR

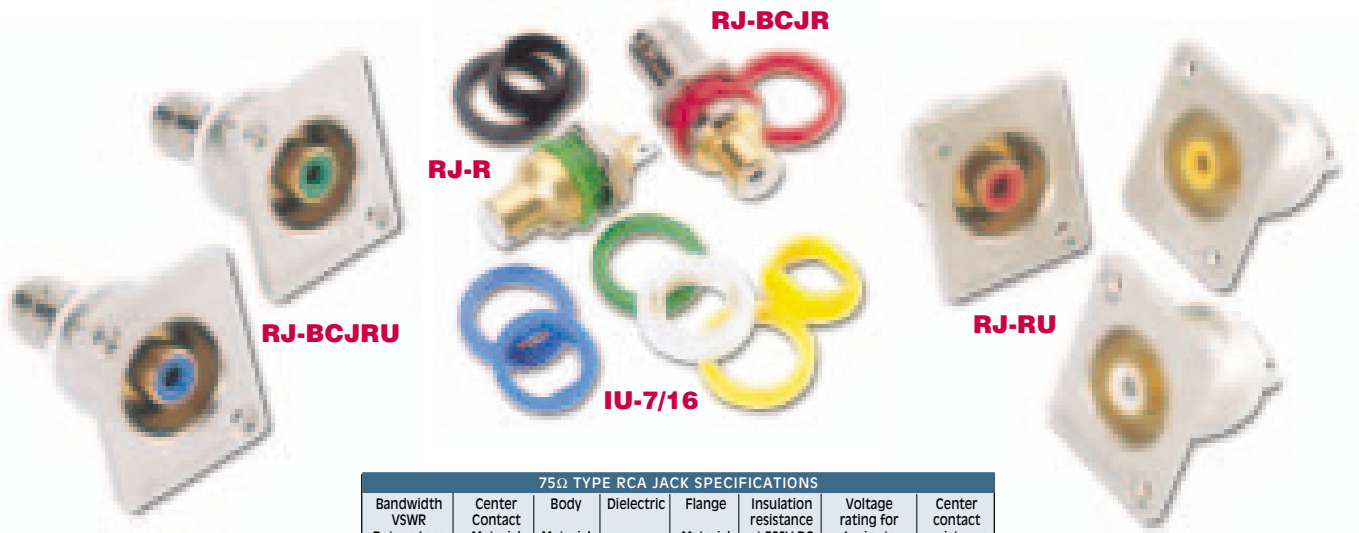
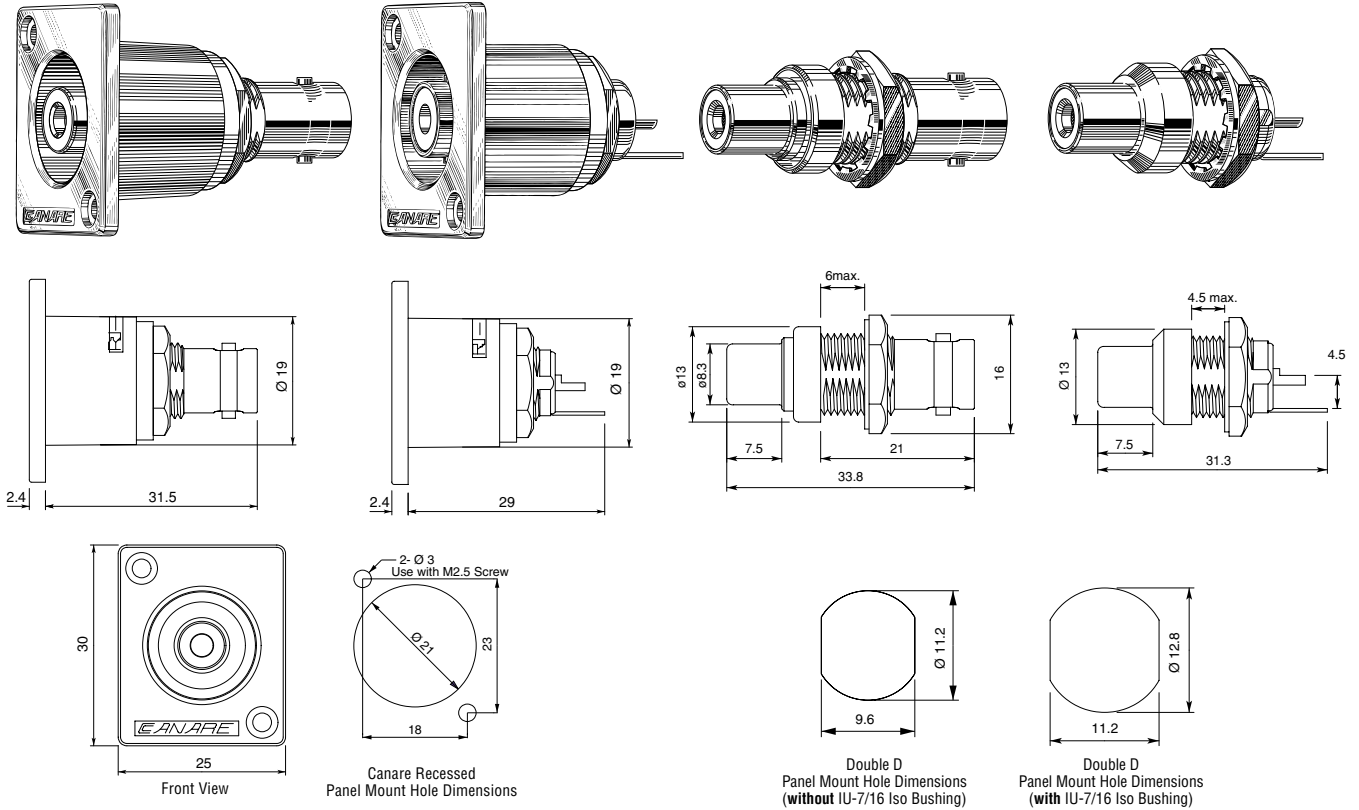
75Ω Type RCA to BNC Bulkhead Jack (Female) to Jack (Female)
Use with Isolation Bushing IU-7/16
Double D Hole Punch
≤1.1 VSWR DC-100MHz

RJ-R

75Ω Type RCA Bulkhead Jack (Female) to Solder Cup
Use with Isolation Bushing IU-7/16
Double D Hole Punch
≤1.1 VSWR DC-100MHz

Insulator Colors: Red, Green, Blue, Yellow, White

Insulator Colors: Red, Yellow, White



75Ω TYPE RCA JACK SPECIFICATIONS							
Bandwidth VSWR Return Loss DC to 100MHz	Center Contact Material Plating	Body Material Plating	Dielectric	Flange Material Plating	Insulation resistance at 500V DC	Voltage rating for 1 minute	Center contact resistance
≤1.1 > 26dB	Beryllium Copper Gold	Brass Nickel	PTFE	DieCast AL Nickel	> 100MΩ	500V AC(rms)	< 10mΩ