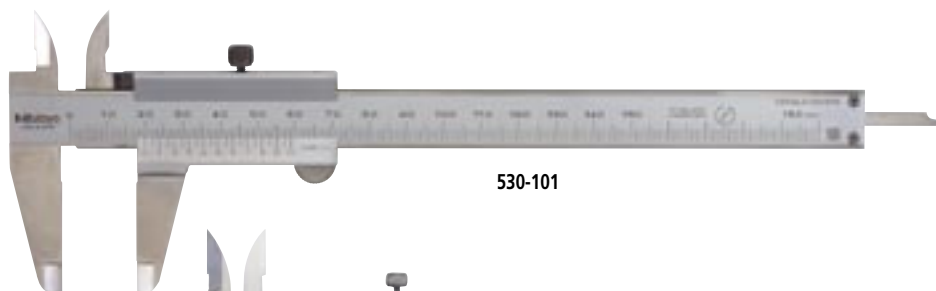
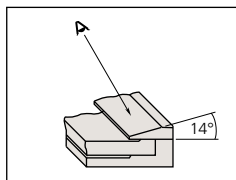


Vernier Caliper

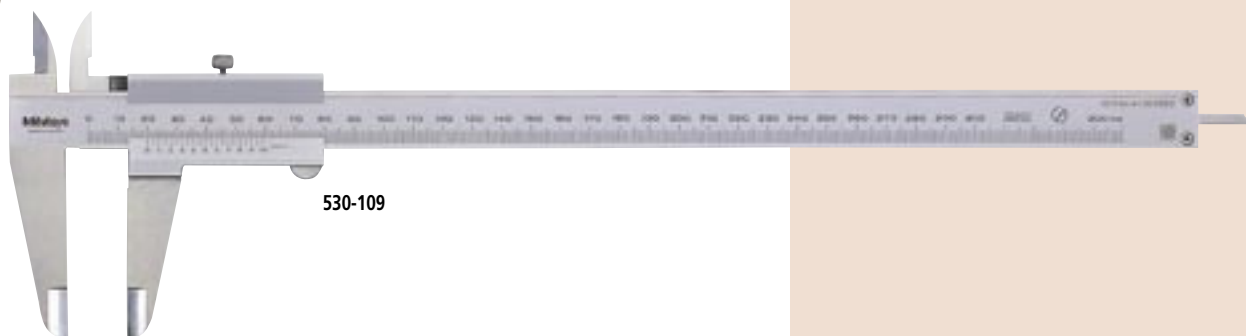
SERIES 530 — Standard model

FEATURES

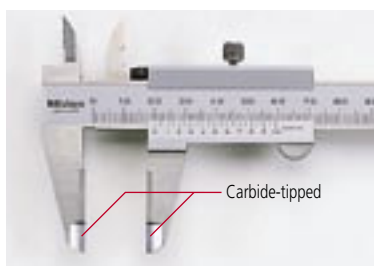
- Plain and basic design.
- Can measure OD (outside diameter), ID (inside diameter), depth, and steps.
- The small vernier face angle (14°) provides easy reading.
- Different reading scales on vernier. (metric/inch and inch models only)
- Clamping screw atop the slider.
- Carbide-tipped jaw type calipers are also available.



530-101



530-109



Carbide-tipped

Carbide-tipped jaw type

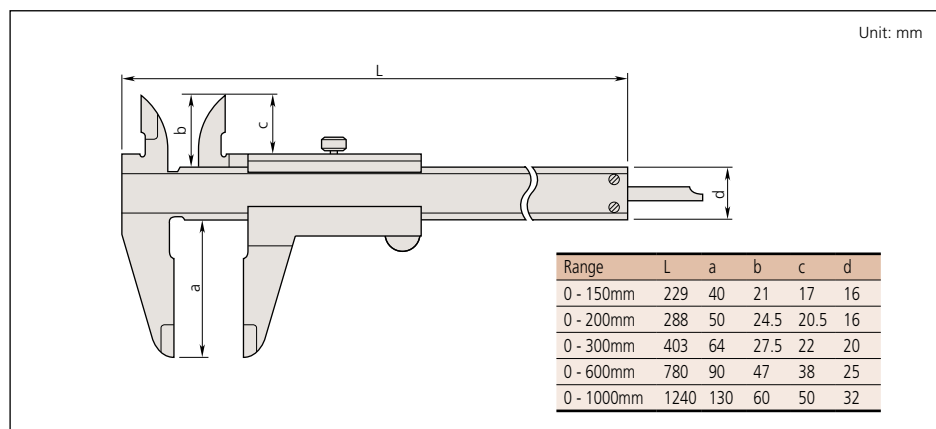


Round depth bar type

Technical Data

Accuracy: $\pm 0.05\text{mm}$ ($\leq 200\text{mm}$), $\pm 0.08\text{mm}$ ($\leq 300\text{mm}$)
 $\pm 0.10\text{mm}$ ($\leq 600\text{mm}$), $\pm 0.15\text{mm}$ ($\leq 1000\text{mm}$)
 High accuracy type:
 $\pm 0.03\text{mm}$ ($\leq 200\text{mm}$), $\pm 0.04\text{mm}$ ($\leq 300\text{mm}$)
 Graduation: 0.05mm, 0.05mm (1/128") or .001" (1/128")
 High accuracy type:
 0.02mm or 0.02mm (.001")

DIMENSION



Measurement Applications



OD measurement



ID measurement



Step measurement



Depth measurement

SPECIFICATIONS

Metric

Range	Order No.	Remarks (depth measuring bar / second scale graduation / others)		
0 - 150mm	530-102	ø1.9mm rod	—	—
0 - 150mm	530-101	Blade	—	—
0 - 150mm	530-320	Blade	—	Carbide-tipped jaws for OD measurement
0 - 150mm	530-335	Blade	—	Carbide-tipped jaws for OD & ID measurement
0 - 150mm	530-319	Blade	—	Clamping screw below the slider
0 - 150mm	530-122*	Blade	—	High accuracy model: ±0.03mm
0 - 200mm	530-108	Blade	—	—
0 - 200mm	530-321	Blade	—	Carbide-tipped jaws for OD measurement
0 - 200mm	530-123*	Blade	—	High accuracy model: ±0.03mm
0 - 300mm	530-109	Blade	—	—
0 - 300mm	530-322	Blade	—	Carbide-tipped jaws for OD measurement
0 - 300mm	530-124*	Blade	—	High accuracy model: ±0.04mm
0 - 600mm	530-501	—	—	—
0 - 1000mm	530-502	—	—	—

*Graduation: 0.02mm

Metric/Inch with metric/inch double scale

Range	Order No.	Remarks (depth measuring bar / second scale graduation / others)		
0 - 150mm	530-104	Blade	1/128"	—
0 - 150mm	530-316	Blade	1/128"	Clamping screw below the slider
0 - 150mm	530-125	Blade	1/128"	—
0 - 150mm	530-312*	Blade	.001"	High accuracy model: ±0.03mm
0 - 200mm	530-114	Blade	1/128"	—
0 - 200mm	530-118*	Blade	.001"	High accuracy model: ±0.03mm
0 - 300mm	530-115	Blade	1/128"	—
0 - 300mm	530-119*	Blade	.001"	High accuracy model: ±0.04mm

*Graduation: 0.02mm

Inch with inch/inch double scale

Range	Order No.	Remarks (depth measuring bar / second scale graduation / others)		
0 - 6"	530-105	Blade	1/128"	—
0 - 6"	530-314	Blade	1/128"	Carbide-tipped jaws for OD measurement
0 - 8"	530-116	Blade	1/128"	—