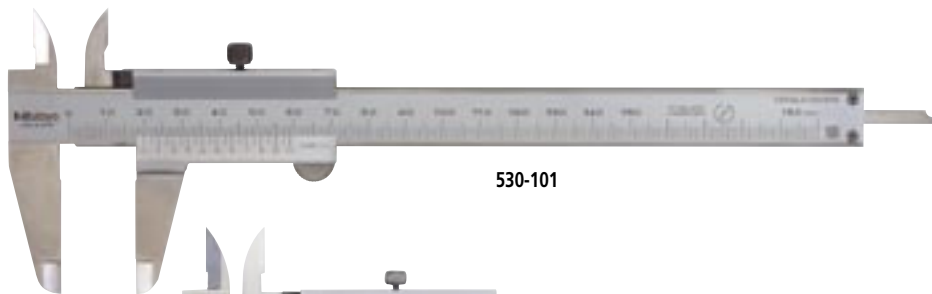
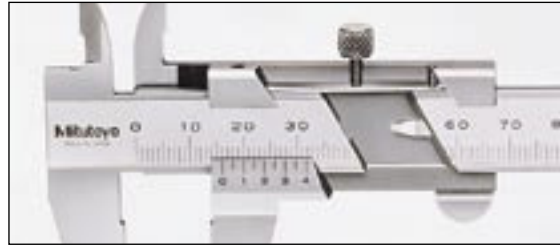
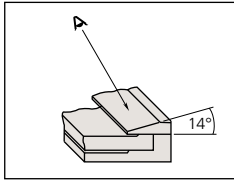


# Vernier Caliper

## SERIES 530 — Standard model

### FEATURES

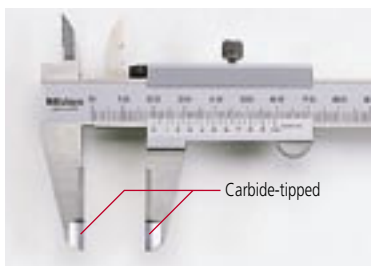
- Plain and basic design.
- Can measure OD (outside diameter), ID (inside diameter), depth, and steps.
- The small vernier face angle (14°) provides easy reading.
- Different reading scales on vernier. (metric/inch and inch models only)
- Clamping screw atop the slider.
- Carbide-tipped jaw type calipers are also available.



530-101



530-109



Carbide-tipped

Carbide-tipped jaw type

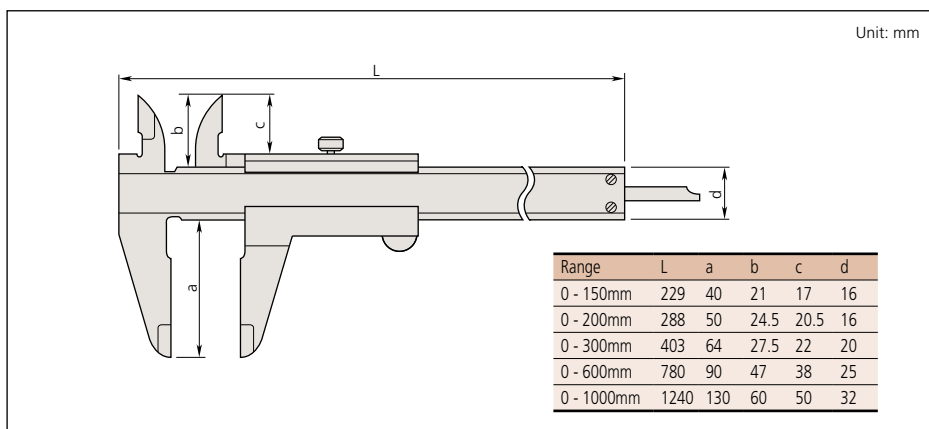


Round depth bar type

### Technical Data

Accuracy:  $\pm 0.05\text{mm}$  ( $\leq 200\text{mm}$ ),  $\pm 0.08\text{mm}$  ( $\leq 300\text{mm}$ )  
 $\pm 0.10\text{mm}$  ( $\leq 600\text{mm}$ ),  $\pm 0.15\text{mm}$  ( $\leq 1000\text{mm}$ )  
 High accuracy type:  
 $\pm 0.03\text{mm}$  ( $\leq 200\text{mm}$ ),  $\pm 0.04\text{mm}$  ( $\leq 300\text{mm}$ )  
 Graduation: 0.05mm, 0.05mm (1/128") or .001" (1/128")  
 High accuracy type:  
 0.02mm or 0.02mm (.001")

### DIMENSION



## Measurement Applications



OD measurement



ID measurement



Step measurement



Depth measurement

## SPECIFICATIONS

### Metric

Range	Order No.	Remarks (depth measuring bar / second scale graduation / others)		
0 - 150mm	<b>530-102</b>	ø1.9mm rod	—	—
0 - 150mm	<b>530-101</b>	Blade	—	—
0 - 150mm	<b>530-320</b>	Blade	—	Carbide-tipped jaws for OD measurement
0 - 150mm	<b>530-335</b>	Blade	—	Carbide-tipped jaws for OD & ID measurement
0 - 150mm	<b>530-319</b>	Blade	—	Clamping screw below the slider
0 - 150mm	<b>530-122*</b>	Blade	—	High accuracy model: ±0.03mm
0 - 200mm	<b>530-108</b>	Blade	—	—
0 - 200mm	<b>530-321</b>	Blade	—	Carbide-tipped jaws for OD measurement
0 - 200mm	<b>530-123*</b>	Blade	—	High accuracy model: ±0.03mm
0 - 300mm	<b>530-109</b>	Blade	—	—
0 - 300mm	<b>530-322</b>	Blade	—	Carbide-tipped jaws for OD measurement
0 - 300mm	<b>530-124*</b>	Blade	—	High accuracy model: ±0.04mm
0 - 600mm	<b>530-501</b>	—	—	—
0 - 1000mm	<b>530-502</b>	—	—	—

\*Graduation: 0.02mm

### Metric/Inch with metric/inch double scale

Range	Order No.	Remarks (depth measuring bar / second scale graduation / others)		
0 - 150mm	<b>530-104</b>	Blade	1/128"	—
0 - 150mm	<b>530-316</b>	Blade	1/128"	Clamping screw below the slider
0 - 150mm	<b>530-125</b>	Blade	1/128"	—
0 - 150mm	<b>530-312*</b>	Blade	.001"	High accuracy model: ±0.03mm
0 - 200mm	<b>530-114</b>	Blade	1/128"	—
0 - 200mm	<b>530-118*</b>	Blade	.001"	High accuracy model: ±0.03mm
0 - 300mm	<b>530-115</b>	Blade	1/128"	—
0 - 300mm	<b>530-119*</b>	Blade	.001"	High accuracy model: ±0.04mm

\*Graduation: 0.02mm

### Inch with inch/inch double scale

Range	Order No.	Remarks (depth measuring bar / second scale graduation / others)		
0 - 6"	<b>530-105</b>	Blade	1/128"	—
0 - 6"	<b>530-314</b>	Blade	1/128"	Carbide-tipped jaws for OD measurement
0 - 8"	<b>530-116</b>	Blade	1/128"	—