

4

3

2

1

THIS DRAWING IS UNPUBLISHED.

RELEASED FOR PUBLICATION

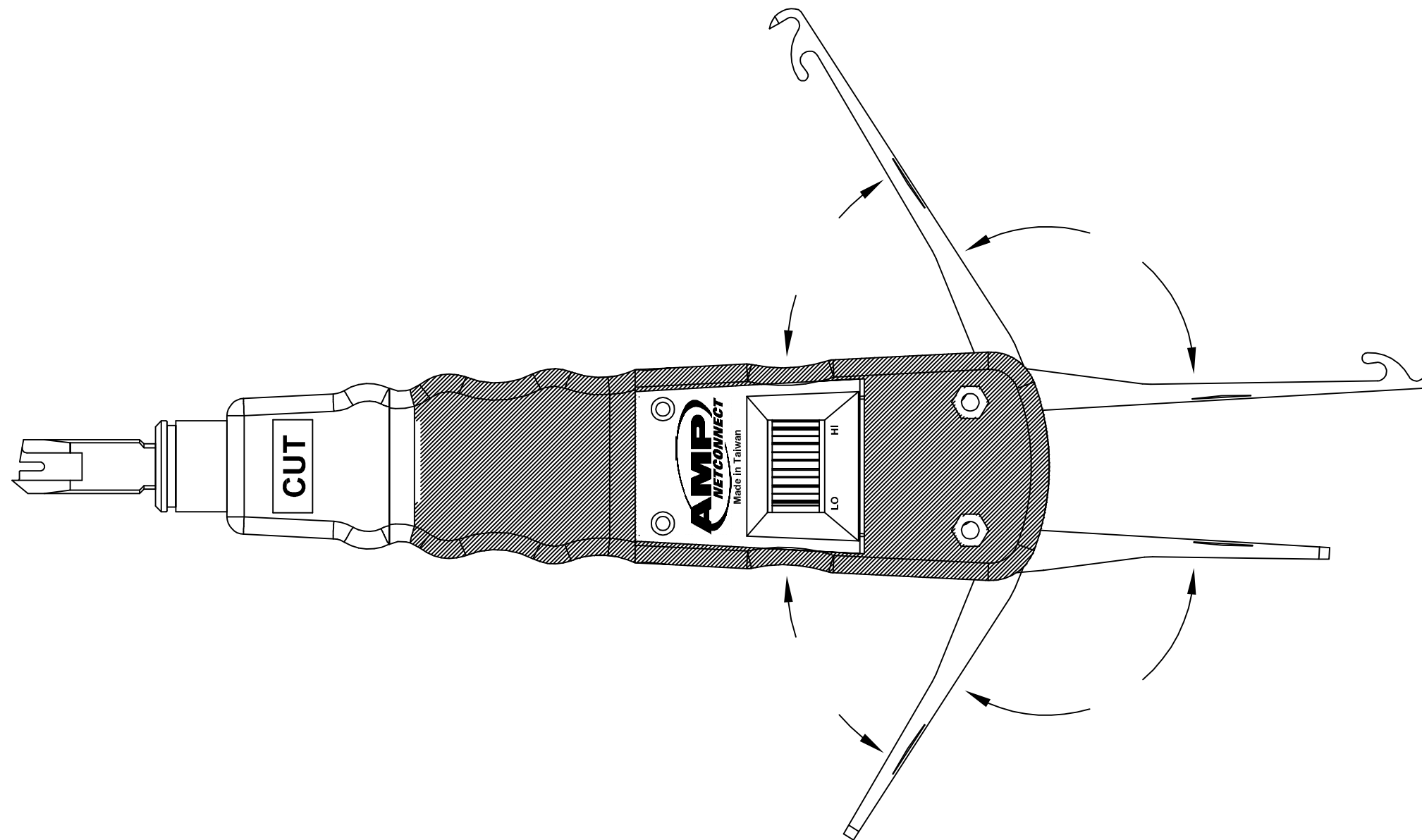
© COPYRIGHT BY TYCO ELECTRONICS CORPORATION. ALL RIGHTS RESERVED.

LOC A DIST 40

REVISIONS

P	LTR	DESCRIPTION	DATE	DWN	APVD
C		ECN 0150-0025-04	09JAN04	RAS	RLS

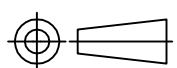
PART NUMBER	REV	FIRST USED	WITH BLADE PART NUMBER	BLADE TYPE
1375308-1	C	-	1375309-1	110
1375308-2	C	-	NO BLADE	-
1375308-3	C	-	1725872-1	66
1375308-4	C	-	1375310-1	110/66



THIS DRAWING IS A CONTROLLED DOCUMENT.

DWN	R. SMELTZ	09JAN2004
CHK	D. MEYER	09JAN2004
APVD	R. SCHAEFFER	09JAN2004
PRODUCT SPEC	-	-
APPLICATION SPEC	-	-
WEIGHT	-	-
CUSTOMER DRAWING		

AMP Tyco Electronics Corporation
Harrisburg, Pa. 17105

DIMENSIONS: INCHES	TOLERANCES UNLESS OTHERWISE SPECIFIED:
	0 PLC ± - 1 PLC ± - 2 PLC ± .02 3 PLC ± - 4 PLC ± - ANGLES ± -
MATERIAL	FINISH
-	-

NAME TOOL, IMPACT, W/BLADE, D914S, XC, 110 CONNECT			
SIZE	CAGE CODE	DRAWING NO	RESTRICTED TO
A3	00779	C=1375308	-
SCALE 1:1		SHEET 1 OF 1	REV C