

CAM2201

Megapixel H.264 Day&Night Network Camera



- 1.3 Megapixel Progressive Scan CMOS Sensor
- Up to 1280 x 1024 Video Resolution
- H.264/MPEG4/MJPEG 2 Simultaneous Video Streams
- Motion Detection and Tampering Detection
- Dual microSD/SDHC Local Storage for Alarm Capture
- Power over Ethernet (IEEE 802.3af)
- Day/Night Function with IR-Cut Filter



Product Specification

Camera	
Image sensor	1/3" 1.3 megapixel progressive scan CMOS
Lens	Changeable (CS/C mount)
WDR	N/A
Day/Night ICR	Yes
IR LED	N/A
Min illumination	0.5 Lux @ F1.0
Iris control	N/A
Shutter time	1/5 ~ 1/15,000 s
Viewing angle	N/A
Camera angle adjustment	N/A
Pan/tilt/zoom functionalities	N/A
Video	
Video compression	H.264/MPEG-4/MJPEG
Resolution	Up to 1280 x 1024
Frame rate	15 fps at SXGA (1280 x 1024) 15 fps at HD720 (1280 x 720) 30 fps at VGA (640 x 480) 30 fps at QVGA (320 x 240)
Video stream	Dual stream at H.264, MPEG-4, and MJPEG simultaneously
Bit rate	32K ~ 10Mbps, VBR, CBR, controller frame rate and quality
Video control	AGC (Auto Gain Control), AWB (Auto White Balance), AES (Auto Electronic Shutter), BLC (Back Light Compensation), image adjustment
Intelligent video	Motion detection, tampering detection (blocked, redirected, defocused, or spray-painted)
Video jack	N/A
Audio	
Built-in MIC	Yes
Audio compression	32KHz, ADPCM
Audio input/output	3.5mm phone jack
I/O and Event Management	
Alarm in	2, terminal block

Alarm out	1, terminal block
Video buffer	5 second pre-alarm, 30 second post-alarm
Event action	Send snapshot or video clip by FTP or email, record to NAS, record to local storage, trigger DO
Network	
Supported protocols	IPv4, ARP, TCP, UDP, ICMP, DHCP, HTTP, UPnP, RTSP, RTCP(Others Phase II)
Ethernet	10/100 Base-T / RJ45
System	
Local storage	microSD/SDHC x 2 (Class 4/Class 6 only)
RS-485	1 (2 pin on terminal block)
USB	N/A
SDK	Surveon SDK 2.0
Viewing System	
OS	Microsoft Windows XP/Vista/7
Browser	Microsoft IE 6.0 or above
Software	Surveon VMS 2.4
General	
Temperature	Operation: -10°C ~ 50°C (14°F ~ 122°F) Storage: -30°C ~ 60°C (-22°F ~ 140°F)
Humidity	5 to 90%
Power	12VDC 1.5A ; PoE (IEEE 802.3af) with Class 3
Power consumption	Max. 5W
Dimension	74.95mm x 59.3mm x 153.5mm (2.95" x 2.34" x 6.04")
Weight	Net: 385g (0.85 lb) Gross: 1035g (2.29 lb)
Certification	Safety: LVD EMC: FCC, CE

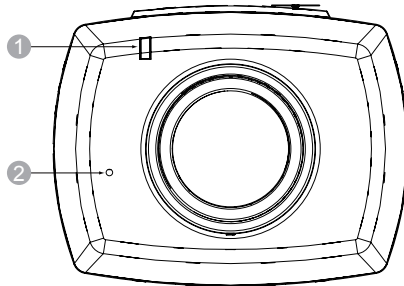
* All specifications are subject to change without notice.
* All brand names and registered trademarks are the property of their respective owners.

CAM2201

Megapixel H.264 Day&Night Network Camera

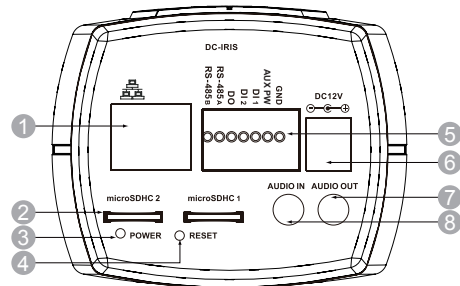
Part Names and Functions

Front View



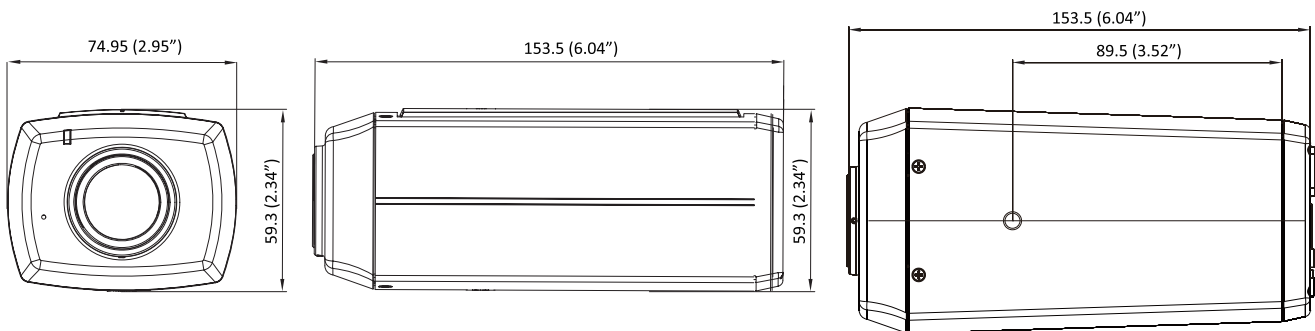
- 1 Status LED indicator
- 2 Microphone

Rear View



- 1 Network connector
- 2 microSDHC slots
- 3 Power indicator
- 4 Reset button
- 5 I/O terminal connectors
- 6 Power connector
- 7 Audio out
- 8 Audio in

Appearance



Package Content

Contents	Quantity
Quick Installation Guide	1
Product DVD	1
CAM2201	1
Camera Stand	1
CS Ring	1
L Type Hexagon Spanner	1

Ordering Information

Part Number	Description
CAM2201-0055	1.3 megapixel CMOS day&night network camera w/o lens

Lens Options

Part Number	Description
YB0LL08M30G0	3.6 mm/F1.8, fixed iris, CS mount, 1/3"
YB0LL08M40G0	4.2 mm/F1.8, fixed iris, CS mount, 1/3"
YB0LL07J01G0	8~16 mm/F1.6, Manual iris, CS mount, 1/2"
YB0LL07J02G0	4.5~10 mm/F1.6, Manual iris, CS mount, 1/2"

Optional Accessories

Part Number	Description
ZPWR18W-0030	Power Adapter
CAM2201-0050	CAM2200 with Power Adapter