

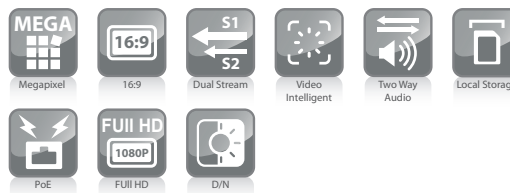
CAM2311

Full HD WDR Day&Night Network Camera



* The lens needs to be purchased separately.

- Full HD & Real Time Network Camera
- Up to 1920 x 1080 Video Resolution
- H.264/MPEG4/MJPEG 2 Simultaneous Video Streams
- Surveon Video Intelligent Ready
- MicroSD/SDHC Local Storage for Alarm Capture
- Power over Ethernet (IEEE 802.3af)
- Support DC Iris & Day/Night IR-Cut Filter
- Built in Advanced ISP



Product Specification

Camera	
Image Sensor	1/2.7" 2 megapixel progressive scan CMOS
Lens	Changeable (CS/C mount)
SNR	48dB
WDR	Yes
Day/Night ICR	Yes
IR LED	N/A
Min Illumination	0.01 Lux @ F1.2 (B/W) 0.1 Lux @ F1.2 (Color)
Iris Control	DC drive
Shutter time	1/30 ~ 1/50,000 s
Viewing Angle	N/A
Camera Angle Adjustment	N/A
Pan/Tilt/Zoom Functionalities	N/A
Video	
Video Compression	H.264/MPEG-4/MJPEG
Resolution	Up to 1920 x 1080
Frame Rate	25 fps at 1080P (1920 x 1080) 30 fps at SXGA (1280 x 1024) 30 fps at HD720 (1280 x 720) 30 fps at D1 (720 x 480) 30 fps at VGA (640 x 480) 30 fps at QVGA (320 x 240)
Video Stream	Dual stream at H.264, MPEG-4, and MJPEG simultaneously
Bit Rate	64K ~ 10Mbps, VBR, CBR, controller frame rate and quality
Video Control	AGC (Auto Gain Control), AWB (Auto White Balance), AES (Auto Electronic Shutter), BLC (Back Light Compensation), HLC (High Light Compensation), 3D Noise Reduction, DEFOG, image adjustment
Intelligent video	Motion detection, tampering detection (blocked, redirected, defocused, or spray-painted)
Video Jack	Yes (BNC)
Audio	

Built-in MIC	N/A
Audio Compression	32KHz, ADPCM
Audio Input/Output	3.5mm phone jack
I/O and Event Management	
Alarm In	3.5mm phone jack
Alarm Out	1, terminal block
Video Buffer	5 second pre-alarm, 30 second post-alarm
Event Action	Send snapshot or video clip by FTP or email, record to NAS, record to local storage, trigger DO
Network	
Supported Protocols	IPv4, ARP, TCP, UDP, ICMP, DHCP, NTP, DDNS, SMTP, FTP, HTTP, CIFS, PPPoE, UPnP, RTP, RTSP, RTCP, 3GPP
Ethernet	10/100 Base-T / RJ45
System	
Local Storage	microSD/SDHC x 1 (Class 4/Class 6 only)
RS-485	1 (2 pin on terminal block)
USB	N/A
SDK	Surveon SDK 2.0
Viewing System	
OS	Microsoft Windows XP/Vista/7
Browser	Microsoft IE 6.0 or above
Software	Surveon VMS 2.4.7
General	
Temperature	Operation: -10°C ~ 50°C (14°F ~ 122°F) Storage: -30°C ~ 60°C (-22°F ~ 140°F)
Humidity	5 to 90%
Power	12VDC 1.5A PoE (IEEE 802.3af) with Class 3
Power Consumption	Max. 7W
Dimension	74.95mm x 59.3mm x 153.5mm (2.95" x 2.34" x 6.04")
Weight	Net: 435g (0.96 lb) Gross: 1085g (2.4 lb)
Certification	Safety: LVD EMC: FCC, CE

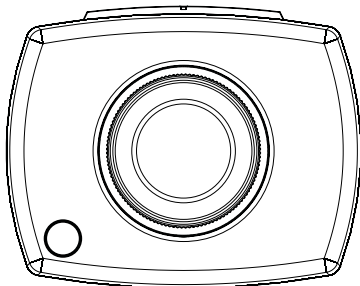
* All specifications are subject to change without notice.
* All brand names and registered trademarks are the property of their respective owners.

CAM2311

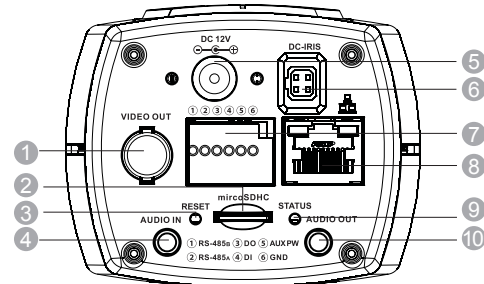
Full HD WDR Day&Night
Network Camera

Part Names and Functions

Front View



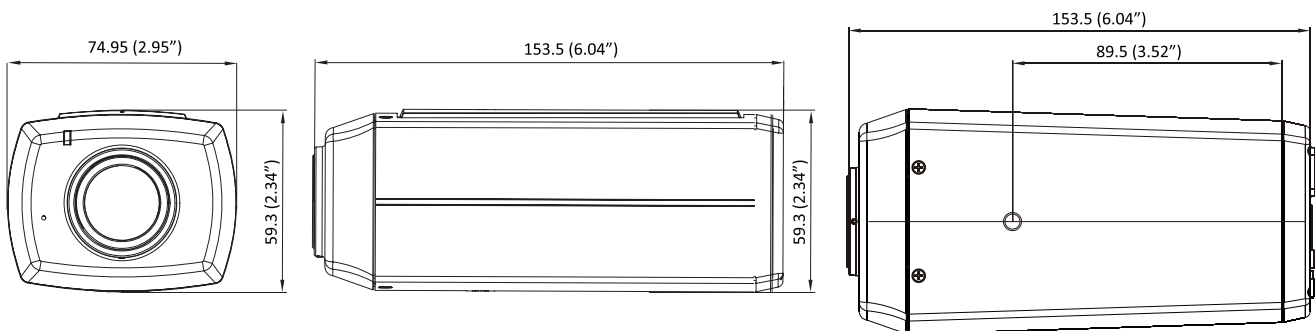
Rear View



- | | |
|-------------------|---------------------------|
| ① Video out | ⑥ DC-Iris connector |
| ② microSDHC slots | ⑦ I/O terminal connectors |
| ③ Reset button | ⑧ Network connector |
| ④ Audio in | ⑨ Status indicator |
| ⑤ Power connector | ⑩ Audio out |

Appearance

Unit:mm(inches)



Package Content

Contents	Quantity
Quick Installation Guide	1
Product DVD	1
CAM2311	1
Camera Stand	1
Decoration Ring	1
L Type Hexagon Spanner	1

Ordering Information

Part Number	Description
CAM2311-0055	Full HD WDR day&night network camera w/o lens

Lens Options

Part Number	Description
YB0LL07K01G0	4.5~10 mm/F1.6, DC-iris, CS mount, 1/2"
YB0LL07K02G0	8~16 mm/F1.6, DC-iris, CS mount, 1/2"
YB0LAE8Z01G0	3~8 mm/F1.0, DC-iris, CS mount, 1/3"
YB0LCB7C09G0	3.1~8mm/F1.2, DC-iris, CS mount, 1/3"

Optional Accessories

Part Number	Description
ZPWR18W-0030	Power Adapter
YB0LCB7C09G0	3.1~8mm/F1.2, DC-iris, CS mount, 1/3"