

CAM6120

25x Zoom CCD Day&Night Indoor Speed Dome Network Camera



- 1/4" SONY EXview HAD CCD Sensor
- Up to 752 x 582 Video Resolution
- H.264/MPEG4/MJPEG 2 Simultaneous Video Streams
- Motion Detection and Tampering Detection
- Day/Night Function with IR-Cut Filter
- 25X Optical Zoom



Product Specification

Camera	
Image Sensor	1/4" SONY EXview HAD CCD
Lens	3.43 - 85.7 mm varifocal lens, F1.6 (wide) - F3.7 (telephoto), 25X zoom
WDR	N/A
Day/Night ICR	Yes
IR LED	N/A
Min Illumination	0.01 Lux @ F1.6 (B/W) 0.1 Lux @ F1.6 (Color)
Iris Control	Automatic / Manual IRIS control
Shutter Time	1/5 ~ 1/15,000 s
Viewing Angle	Diagonal: 68.6°~3.12° Horizontal: 57.8°~2.53° Vertical: 43.7°~1.83°
Camera Angle Adjustment	Pan: 360° endless, 1° ~ 255°/s Tilt: -6° ~ +96°, 1° ~ 255°/s
Pan/Tilt/Zoom Functionalities	1. 180° Horizontal Instant Flip 2. 128 preset positions 3. Preset position auto scanning 4. 25x optical zoom and 16x digital zoom, total 400x zoom
Video	
Video Compression	H.264/MPEG-4/MJPEG
Resolution	768 x 494 (NTSC) 752 x 582 (PAL) 580 TV Lines (Monochrome) 520 TV Lines (Color)
Frame Rate	NTSC: 30 fps at D1 (768 x 494), 30 fps at CIF (352 x 240), 30 fps at QCIF (176 x 120) PAL: 25 fps at D1 (752 x 582), 25 fps at CIF (352 x 288), 25 fps at QCIF (176 x 144)
Video Stream	Dual stream at H.264, MPEG-4, and MJPEG simultaneously
Bit Rate	32K ~ 10Mbps, VBR, CBR, controller frame rate and quality
Video Control	AGC (Auto Gain Control), AWB (Auto White Balance), BLC (Back Light Compensation), Image adjustment, Privacy zone: On/Off (8 zones)
Intelligent Video	Motion detection, tampering detection (blocked, redirected, defocused, or spray-painted)

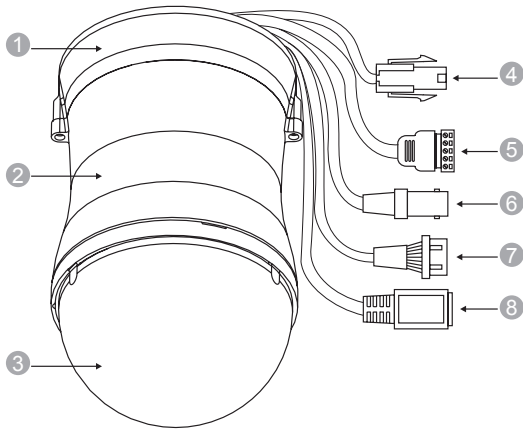
Video Jack	BNC jack
Audio	
Built-in MIC	N/A
Audio Compression	N/A
Audio Input/Output	N/A
I/O and Event Management	
Alarm In	6, terminal block
Alarm Out	1, terminal block
Video Buffer	N/A
Event Action	Send snapshot or video clip by FTP or email, record to NAS, trigger DO
Network	
Supported Protocols	IPv4, ARP, TCP, UDP, ICMP, DHCP, NTP, DDNS, SMTP, FTP, HTTP, CIFS, PPPoE, UPnP, RTP, RTSP, RTCP, 3GPP
Ethernet	10/100 Base-T / RJ45
System	
Local Storage	N/A
RS-485	1 (2 pin on terminal block)
USB	N/A
SDK	Surveon SDK 2.0
Viewing System	
OS	Microsoft Windows XP/Vista/7
Browser	Microsoft IE 6.0 or above
Software	Surveon VMS 2.4.1
General	
Temperature	Operation: -10°C ~ 50°C (14°F ~ 122°F) Storage: -30°C ~ 60°C (-22°F ~ 140°F)
Humidity	0 to 90%
Power	24VAC/5A
Power Consumption	Max. 15.8W
Dimension	ø145mm x 238mm (H) ø5.7" x 9.37" (H)
Weight	Net: 2.5kg, Gross: 3.7kg
Certification	Safety: LVD EMC: FCC, CE

* All specifications are subject to change without notice.
* All brand names and registered trademarks are the property of their respective owners.

CAM6120

25x Zoom CCD Day&Night Indoor Speed Dome Network Camera

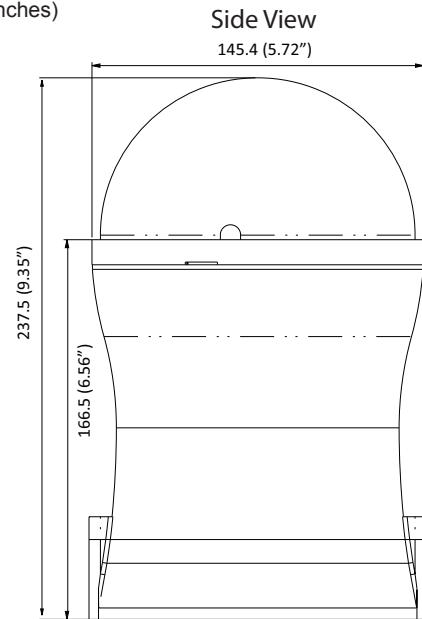
Part Names and Functions



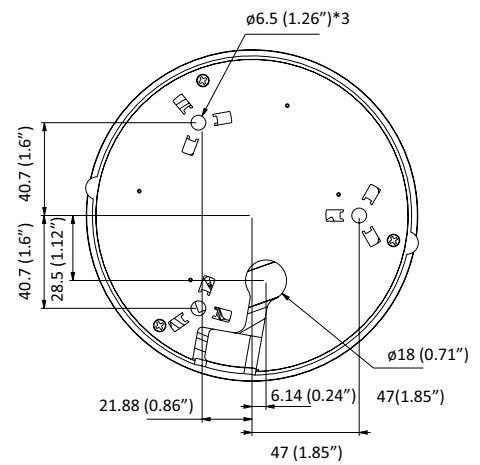
- 1 Bottom Chassis
- 2 Camera Case
- 3 Dome Cover
- 4 Power In Jack
- 5 RS-485 In/Out Terminal
- 6 Video Out Jack
- 7 Alarm In/Out connector
- 8 RJ45 Network Connector

Appearance

Unit:mm(inches)



Bottom View



Package Content

Contents	Quantity
Quick Installation Guide	1
Product DVD	1
CAM6120	1
Camera Bracket	1
Decoration Ring	1
Screw Hole Indicator Sticker	1
Anchors and Mounting Screws	3

Ordering Information

Part Number	Description
(NTSC) CAM6120-0050	25x Zoom Indoor IP Speed Dome with varifocal lens
(PAL) CAM6120-0051	25x Zoom Indoor IP Speed Dome with varifocal lens